

SECTION **SRS**

SUPPLEMENTAL RESTRAINT SYSTEM (SRS)

A
B
C
D
E
F
G
H
I
J
K
L
M
N
O
P

CONTENTS

<p>SERVICE INFORMATION 2</p> <p>PRECAUTIONS 2</p> <p style="padding-left: 20px;">Precaution for Supplemental Restraint System (SRS) "AIR BAG" and "SEAT BELT PRE-TENSIONER"2</p> <p style="padding-left: 20px;">Precaution for SRS "AIR BAG" and "SEAT BELT PRE-TENSIONER" Service2</p> <p style="padding-left: 20px;">Occupant Classification System Precaution2</p> <p>PREPARATION 3</p> <p style="padding-left: 20px;">Special Service Tool3</p> <p style="padding-left: 20px;">Commercial Service Tool3</p> <p>SUPPLEMENTAL RESTRAINT SYSTEM (SRS) 4</p> <p style="padding-left: 20px;">SRS Configuration4</p> <p style="padding-left: 20px;">Front Seat Belt Pre-tensioner with Load Limiter5</p> <p style="padding-left: 20px;">Front Side Air Bag5</p> <p style="padding-left: 20px;">Side Curtain Air Bag5</p> <p style="padding-left: 20px;">Occupant Classification System (OCS)5</p> <p style="padding-left: 20px;">Direct-connect SRS Component Connectors6</p> <p>TROUBLE DIAGNOSIS 7</p> <p style="padding-left: 20px;">Trouble Diagnosis Introduction7</p> <p style="padding-left: 20px;">SRS Component Parts Location9</p> <p style="padding-left: 20px;">Schematic10</p> <p style="padding-left: 20px;">Wiring Diagram - SRS-11</p> <p style="padding-left: 20px;">CONSULT-III Function (AIR BAG)16</p> <p style="padding-left: 20px;">Self-Diagnosis Function (Without CONSULT-III)17</p> <p style="padding-left: 20px;">SRS Operation Check18</p> <p style="padding-left: 20px;">Trouble Diagnosis with CONSULT-III19</p> <p style="padding-left: 20px;">Trouble Diagnosis without CONSULT-III27</p>	<p style="padding-left: 20px;">Trouble Diagnosis: "AIR BAG" Warning Lamp Does Not Turn Off30</p> <p style="padding-left: 20px;">Trouble Diagnosis: "AIR BAG" Warning Lamp Does Not Turn On31</p> <p>DRIVER AIR BAG MODULE33</p> <p style="padding-left: 20px;">Removal and Installation33</p> <p>SPIRAL CABLE35</p> <p style="padding-left: 20px;">Removal and Installation35</p> <p>FRONT PASSENGER AIR BAG MODULE37</p> <p style="padding-left: 20px;">Removal and Installation37</p> <p>SIDE CURTAIN AIR BAG MODULE38</p> <p style="padding-left: 20px;">Removal and Installation38</p> <p>CRASH ZONE SENSOR40</p> <p style="padding-left: 20px;">Removal and Installation40</p> <p>SIDE AIR BAG (SATELLITE) SENSOR41</p> <p style="padding-left: 20px;">Removal and Installation41</p> <p>FRONT SEAT BELT PRE-TENSIONER42</p> <p style="padding-left: 20px;">Removal and Installation42</p> <p>DIAGNOSIS SENSOR UNIT43</p> <p style="padding-left: 20px;">Removal and Installation43</p> <p>OCCUPANT CLASSIFICATION SYSTEM CONTROL UNIT44</p> <p style="padding-left: 20px;">Removal and Installation44</p> <p>COLLISION DIAGNOSIS45</p> <p style="padding-left: 20px;">For Frontal Collision45</p> <p style="padding-left: 20px;">For Side and Rollover Collision46</p>
---	--

SRS

PRECAUTIONS

< SERVICE INFORMATION >

SERVICE INFORMATION

PRECAUTIONS

Precaution for Supplemental Restraint System (SRS) "AIR BAG" and "SEAT BELT PRE-TENSIONER"

INFOID:000000001720997

The Supplemental Restraint System such as "AIR BAG" and "SEAT BELT PRE-TENSIONER", used along with a front seat belt, helps to reduce the risk or severity of injury to the driver and front passenger for certain types of collision. This system includes seat belt switch inputs and dual stage front air bag modules. The SRS system uses the seat belt switches to determine the front air bag deployment, and may only deploy one front air bag, depending on the severity of a collision and whether the front occupants are belted or unbelted. Information necessary to service the system safely is included in the SRS and SB section of this Service Manual.

WARNING:

- To avoid rendering the SRS inoperative, which could increase the risk of personal injury or death in the event of a collision which would result in air bag inflation, all maintenance must be performed by an authorized NISSAN/INFINITI dealer.
- Improper maintenance, including incorrect removal and installation of the SRS, can lead to personal injury caused by unintentional activation of the system. For removal of Spiral Cable and Air Bag Module, see the SRS section.
- Do not use electrical test equipment on any circuit related to the SRS unless instructed to in this Service Manual. SRS wiring harnesses can be identified by yellow and/or orange harnesses or harness connectors.

Precaution for SRS "AIR BAG" and "SEAT BELT PRE-TENSIONER" Service

INFOID:000000001720998

- Do not use electrical test equipment to check SRS circuits unless instructed to in this Service Manual.
- Before servicing the SRS, turn ignition switch OFF, disconnect both battery cables and wait at least 3 minutes.
For approximately 3 minutes after the cables are removed, it is still possible for the air bag and seat belt pretensioner to deploy. Therefore, do not work on any SRS connectors or wires until at least 3 minutes have passed.
- The air bag diagnosis sensor unit must always be installed with the arrow mark "←" pointing toward the front of the vehicle for proper operation. Also check air bag diagnosis sensor unit for cracks, deformities or rust before installation and replace as required.
- The spiral cable must be aligned with the neutral position since its rotations are limited. Do not attempt to turn steering wheel or column after removal of steering gear.
- Handle air bag module carefully. Always place driver and front passenger air bag modules with the pad side facing upward and seat mounted front side air bag module standing with the stud bolt side facing down.
- Conduct self-diagnosis to check entire SRS for proper function after replacing any components.
- After air bag inflates, the front instrument panel assembly should be replaced if damaged.

Occupant Classification System Precaution

INFOID:000000001720999

Replace control unit and passenger front seat cushion as an assembly.

PREPARATION

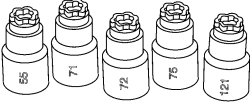
< SERVICE INFORMATION >

PREPARATION

Special Service Tool

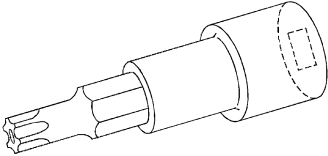
INFOID:000000001721000

The actual shapes of Kent-Moore tools may differ from those of special service tools illustrated here.

Tool number (Kent-Moore No.) Tool name	Description
<p style="text-align: center;">—</p> <p>(J-44615) Air bag lock master key set</p> <div style="text-align: center;">  <p style="margin-top: 5px;">LRS210</p> </div>	<p>Removing and installing air bag lock</p>

Commercial Service Tool

INFOID:000000001721001

Tool name	Description
<p>Tamper resistant TORX socket</p> <div style="text-align: center;">  <p style="margin-top: 5px;">S-NT757</p> </div>	<p>Size: T30</p>

A
B
C
D
E
F
G
I
J
K
L
M
N
O
P

SRS

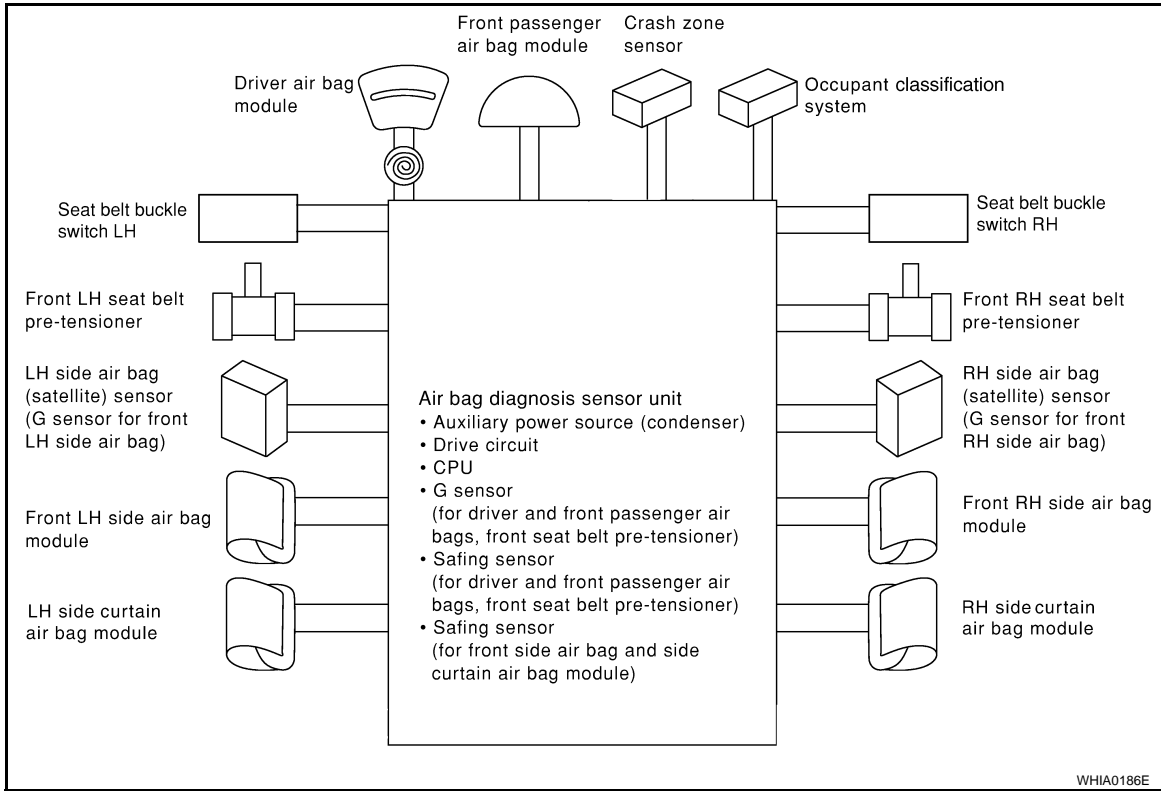
SUPPLEMENTAL RESTRAINT SYSTEM (SRS)

< SERVICE INFORMATION >

SUPPLEMENTAL RESTRAINT SYSTEM (SRS)

SRS Configuration

INFOID:000000001721002



The air bag deploys if the air bag diagnosis sensor unit is activated while the ignition switch is in the ON or START position.

The collision modes for which supplemental restraint systems are activated are different among the SRS systems. For example, the driver air bag module, front passenger air bag module and front seat belt pre-tensioners are activated in a frontal collision but not in a side collision.

SRS configurations for some collision modes are as follows:

SRS configuration	Frontal collision	Left side collision	Right side collision
Driver air bag module	×	—	—
Front passenger air bag module	×	—	—
Front LH seat belt pre-tensioner	×	—	—
Front RH seat belt pre-tensioner	×	—	—
Front LH side air bag module	—	×	—
Front RH side air bag module	—	—	×
LH side curtain air bag module	—	×	—
RH side curtain air bag module	—	—	×

SUPPLEMENTAL RESTRAINT SYSTEM (SRS)

< SERVICE INFORMATION >

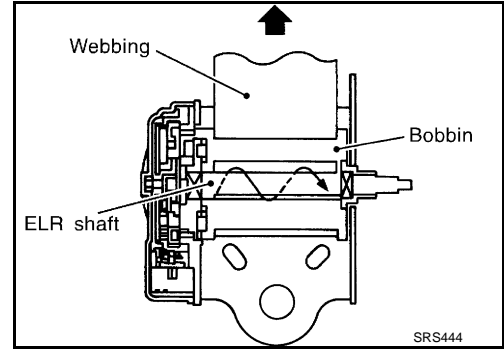
Front Seat Belt Pre-tensioner with Load Limiter

INFOID:000000001721003

The seat belt pre-tensioner system with load limiter is installed for both the driver's seat and the front passenger's seat. It operates simultaneously with the SRS air bag system in the event of a frontal collision with an impact exceeding a specified level.

When the frontal collision with an impact exceeding a specified level occurs, seat belt slack resulting from clothing or other factors is immediately taken up by the pre-tensioner. Vehicle passengers are securely restrained.

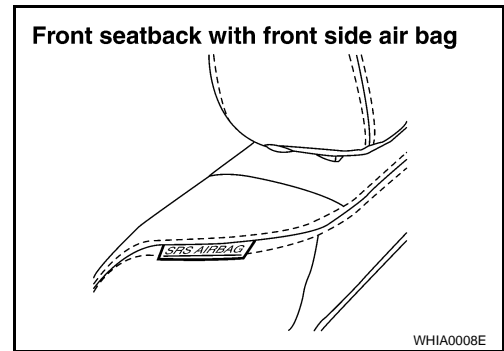
When passengers in a vehicle are thrown forward in a collision and the restraining force of the seat belt exceeds a specified level, the load limiter permits the specified extension of the seat belt by the twisting of the ELR shaft, and a relaxation of the chest-area seat belt web tension while maintaining force.



Front Side Air Bag

INFOID:000000001721004

Front side air bag modules are built into the front seatback assemblies. Vehicles with side air bags are equipped with labels as shown.



Side Curtain Air Bag

INFOID:000000001721005

Side curtain air bag modules are located above the vehicle headlining. Vehicles with side curtain air bags are equipped with labels as shown.



Occupant Classification System (OCS)

INFOID:000000001721006

The occupant classification system (OCS) identifies different size occupants, out of position occupants, and detects if child seat is present in the front passenger seat. The OCS receives inputs from the occupant classification sensor (located inside the passenger seat cushion assembly) and belt tension sensor (part of the passenger front seat belt assembly and located at the belt anchor location). Depending on classification of the passenger, the OCS sends a signal to the air bag diagnosis sensor unit. The air bag diagnosis sensor unit uses this signal and the seat belt buckle switch RH signal to determine deployment or non deployment of the passenger front air bag in the event of a collision. Depending on the signals received, the air bag diagnosis sensor unit can disable the passenger front air bag completely.

NOTE:

In case of customer concern, CONSULT-III can be used to confirm the passenger air bag status (readiness).

A
B
C
D
E
F
G
H
I
J
K
L
M
N
O
P

SRS

SUPPLEMENTAL RESTRAINT SYSTEM (SRS)

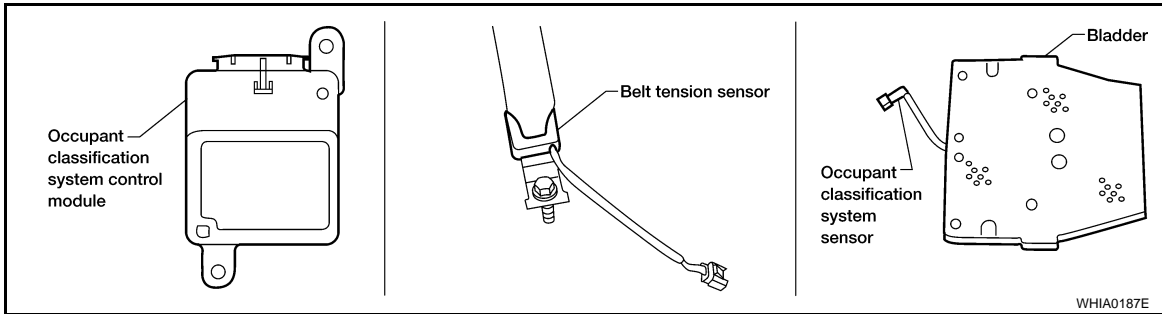
< SERVICE INFORMATION >

Passenger Air Bag Status Conditions

Front Passenger Seat (Condition)	PASS AIR BAG OFF Indicator (Status)	Passenger Air Bag Status (Readiness)	CONSULT-III Display
Seat occupied	OFF	Active (enabled)	ON
Seat occupied ^{NOTE}	ON	Deactivated (disabled)	OFF
Seat empty	OFF	Deactivated (disabled)	OFF

NOTE:

Passenger does not meet Occupant Classification System specifications for passenger air bag activation.



Direct-connect SRS Component Connectors

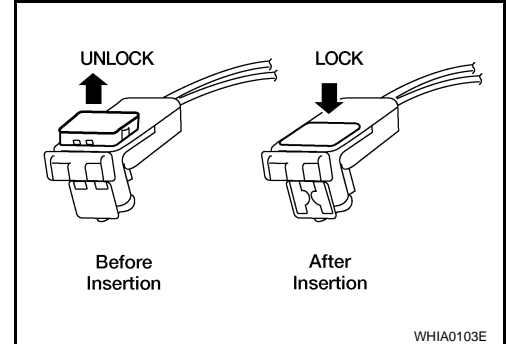
INFOID:000000001721007

The following SRS components use direct-connect style harness connectors.

- Driver air bag module
- LH side curtain air bag module
- RH side curtain air bag module
- Front LH seat belt pre-tensioner
- Front RH seat belt pre-tensioner

Always pull up to release black locking tab prior to removing connector from SRS component.

Always push down to lock black locking tab after installing connector to SRS component. When locked, the black locking tab is level with the connector housing.



TROUBLE DIAGNOSIS

< SERVICE INFORMATION >

TROUBLE DIAGNOSIS

Trouble Diagnosis Introduction

INFOID:000000001721008

CAUTION:

- Do not use electrical test equipment on any circuit related to the SRS unless instructed to do so in this Service Manual.
- Do not attempt to repair, splice or modify SRS wiring harnesses. If a harness is damaged, replace it with a new one.
- Keep ground connections clean.

DIAGNOSIS FUNCTION

The SRS self-diagnosis results can be read by using "AIR BAG" warning lamp and/or CONSULT-III.

The User mode is exclusively prepared for the customer (driver). This mode warns the driver of a system malfunction through the operation of the "AIR BAG" warning lamp.

The Diagnosis mode allows the technician to locate and inspect the malfunctioning part.

The mode applications for the "AIR BAG" warning lamp and CONSULT-III are as follows:

	User mode	Diagnosis mode	Display type
"AIR BAG" warning lamp	X	X	ON-OFF operation
CONSULT-III	—	X	Monitoring

HOW TO PERFORM TROUBLE DIAGNOSES FOR QUICK AND ACCURATE REPAIR

A good understanding of the malfunction conditions can make troubleshooting faster and more accurate.

In general, each customer feels differently about a malfunction. It is important to fully understand the symptoms or conditions for a customer complaint.

Information From Customer

WHAT - Vehicle model

WHEN - Date, Frequencies

WHERE - Road conditions

HOW - Operating conditions, Symptoms

Preliminary Check

Check that the following parts are in good order.

- Battery (Refer to [SC-4, "How to Handle Battery".](#))
- Fuse (Refer to [SRS-10, "Schematic".](#))
- System component-to-harness connections

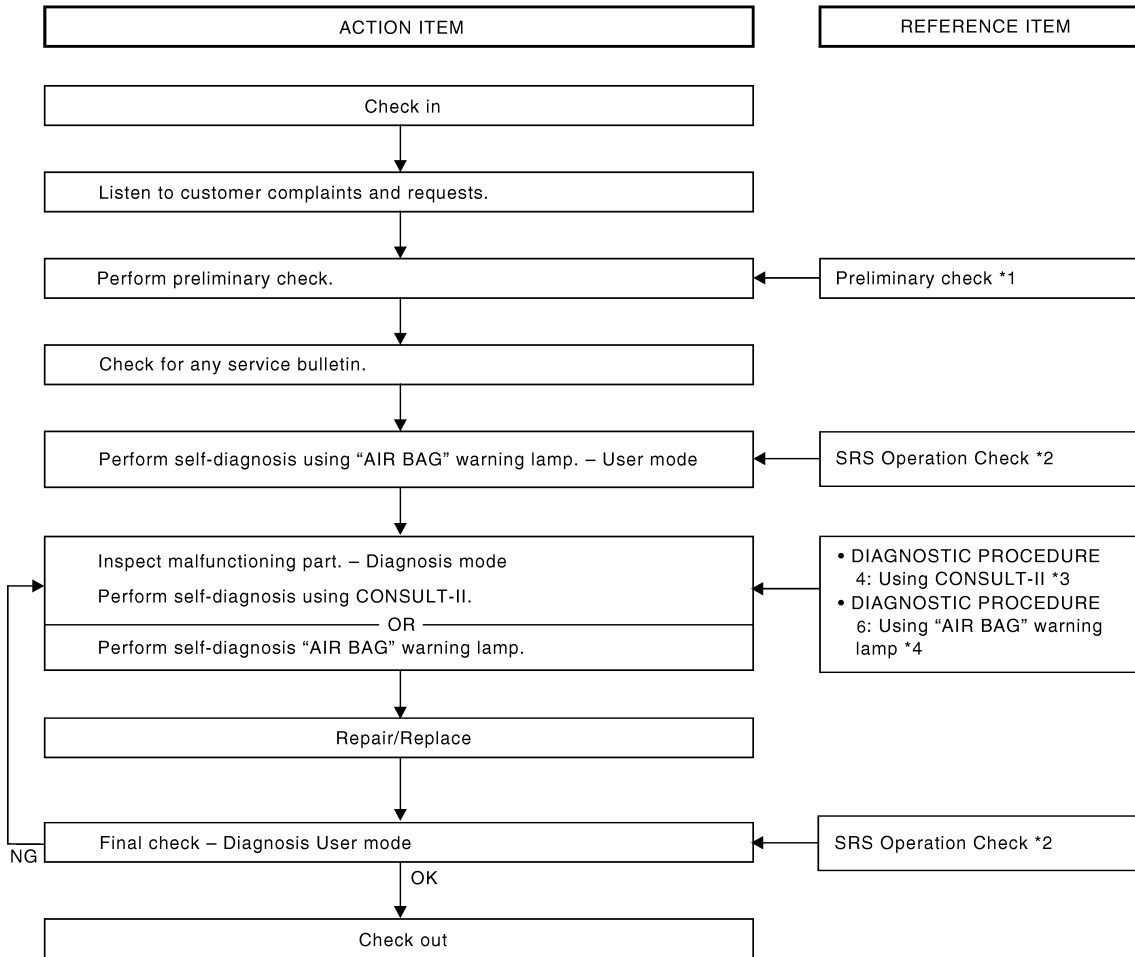
WORK FLOW

A
B
C
D
E
F
G
I
J
K
L
M
N
O
P

SRS

TROUBLE DIAGNOSIS

< SERVICE INFORMATION >



WHIA0098E

*1: "PRELIMINARY CHECK"

*2: [SRS-18](#)

*3: [SRS-19](#)

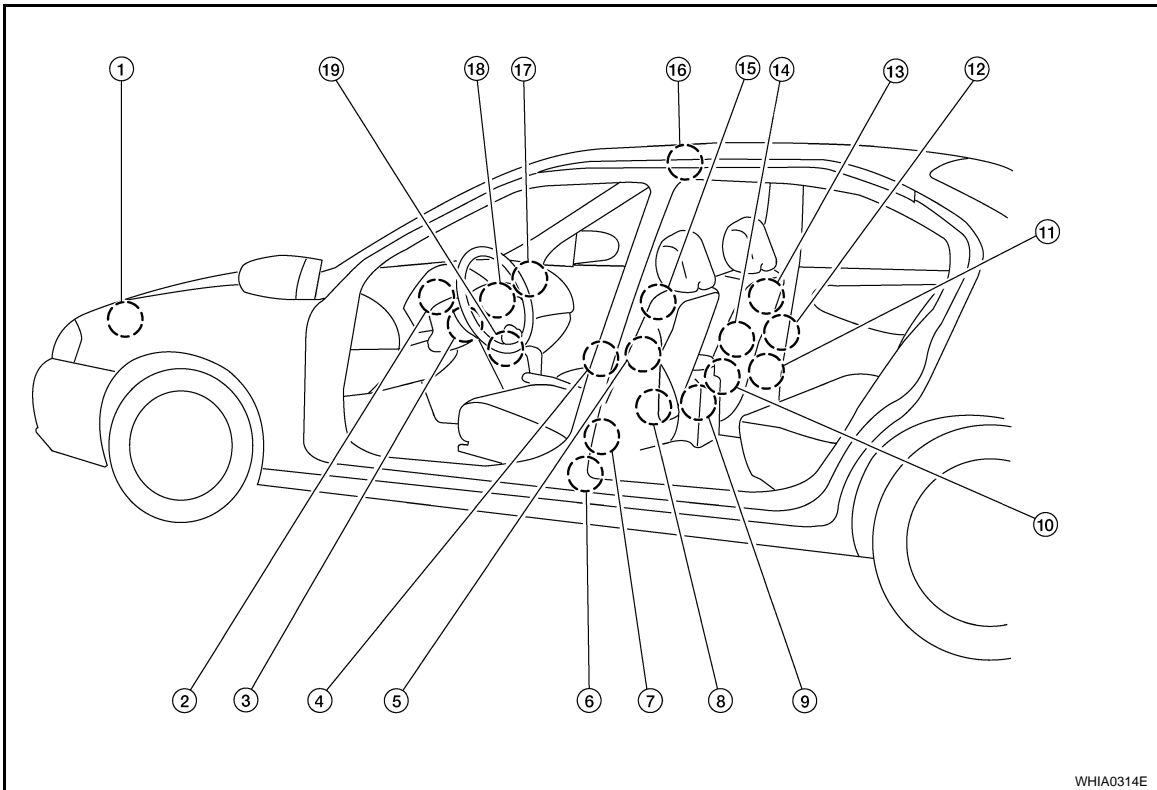
*4: [SRS-19](#)

TROUBLE DIAGNOSIS

< SERVICE INFORMATION >

SRS Component Parts Location

INFOID:000000001721009



- | | | |
|--|--|---------------------------------------|
| 1. Crash zone sensor | 2. Air bag warning lamp | 3. Spiral cable |
| 4. Occupant classification system control unit | 5. Occupant classification system sensor | 6. LH side air bag (satellite) sensor |
| 7. Front LH seat belt pre-tensioner | 8. Seat belt buckle switch (LH) | 9. Air bag diagnosis sensor unit |
| 10. Seat belt buckle switch (RH) | 11. RH side air bag (satellite) sensor | 12. Front RH seat belt pre-tensioner |
| 13. Front RH side air bag module | 14. Belt tension sensor | 15. Front LH side air bag module |
| 16. LH side curtain air bag module | 17. Front passenger air bag module | 18. Driver air bag module |
| 19. Front passenger air bag off indicator | | |

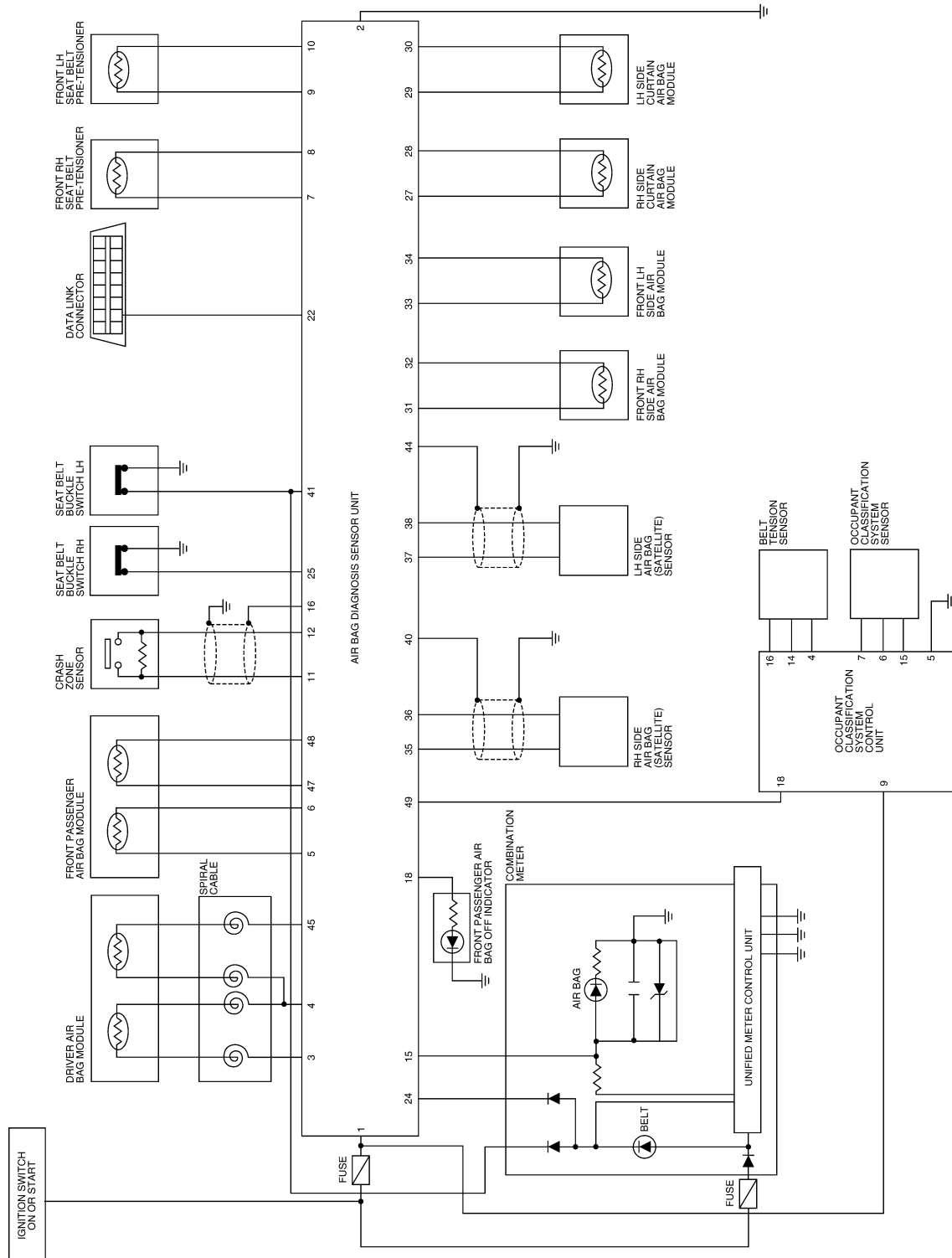
A
B
C
D
E
F
G
SRS
I
J
K
L
M
N
O
P

TROUBLE DIAGNOSIS

< SERVICE INFORMATION >

Schematic

INFOID:000000001721010



WHWA0289E

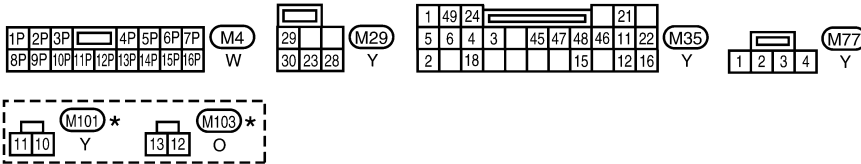
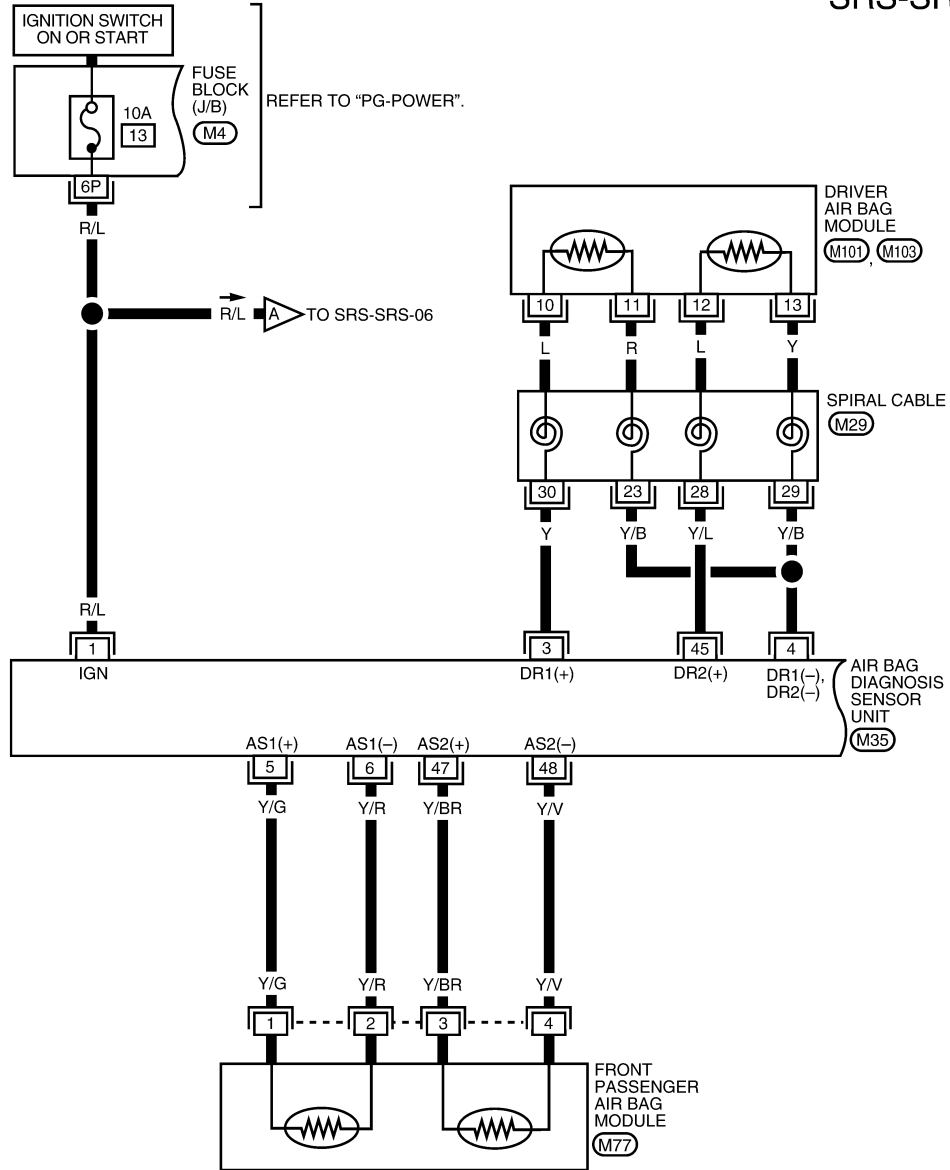
TROUBLE DIAGNOSIS

< SERVICE INFORMATION >

Wiring Diagram - SRS-

INFOID:000000001721011

SRS-SRS-01



* : THIS CONNECTOR IS NOT SHOWN IN "HARNESS LAYOUT" OF PG SECTION.

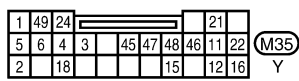
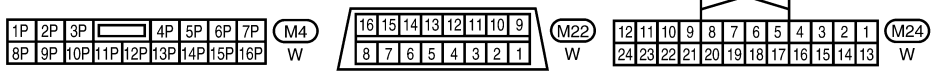
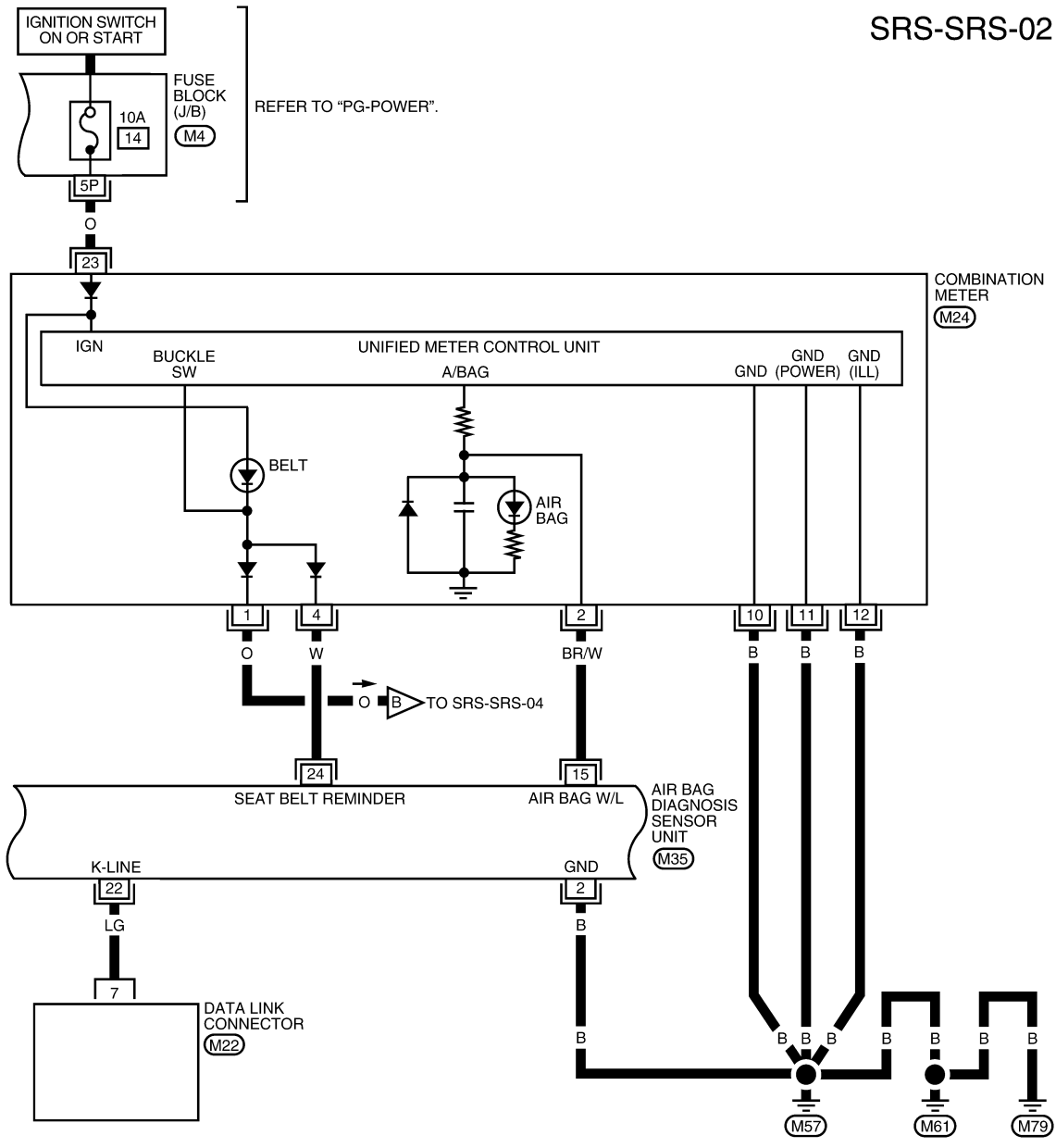
WHWA0290E

A
B
C
D
E
F
G
SRS
I
J
K
L
M
N
O
P

TROUBLE DIAGNOSIS

< SERVICE INFORMATION >

SRS-SRS-02

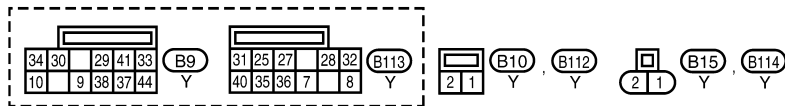
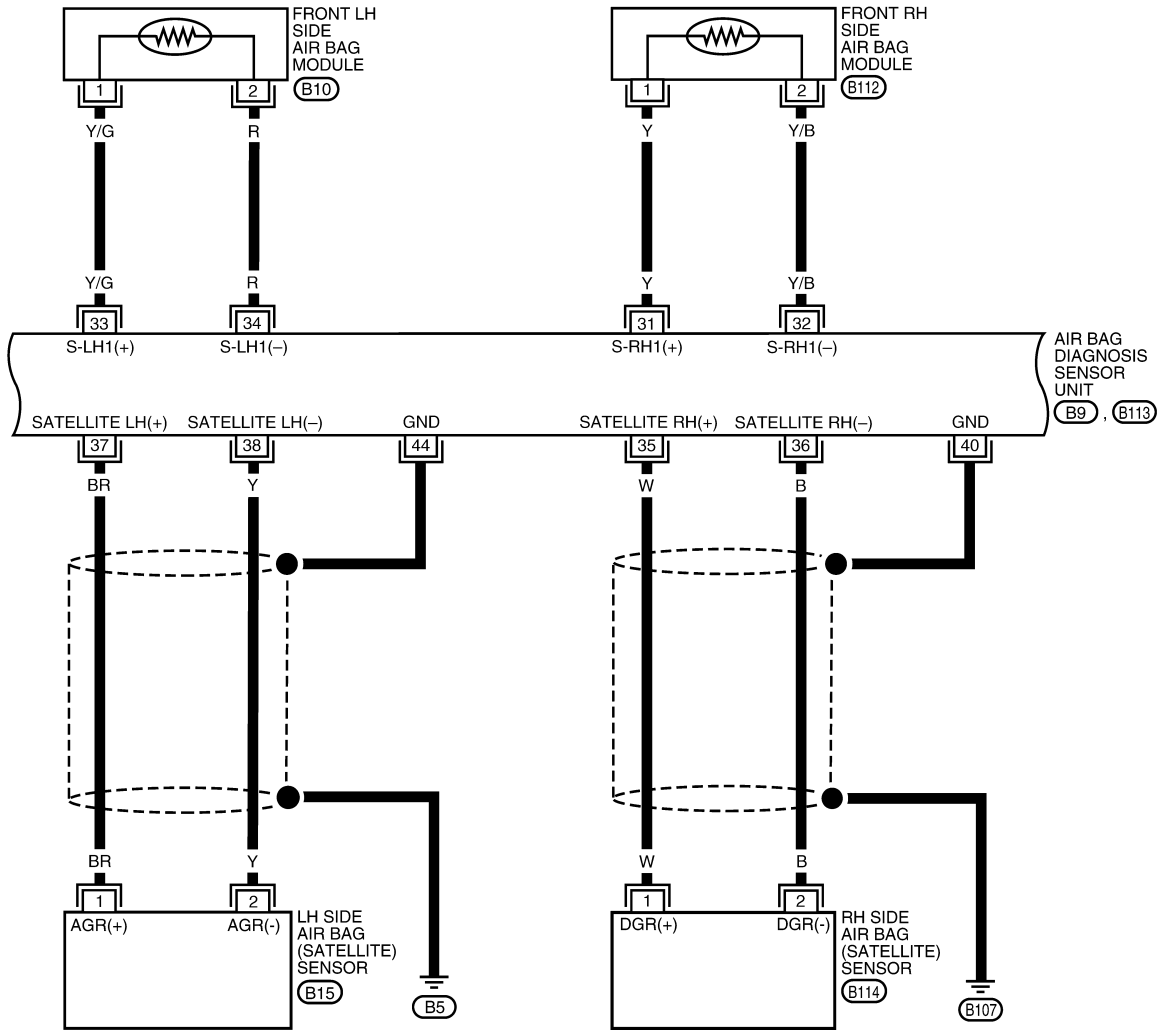


WHWA0291E

TROUBLE DIAGNOSIS

< SERVICE INFORMATION >

SRS-SRS-03



WHWA0200E

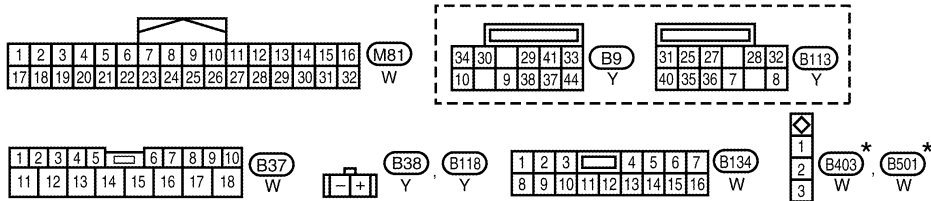
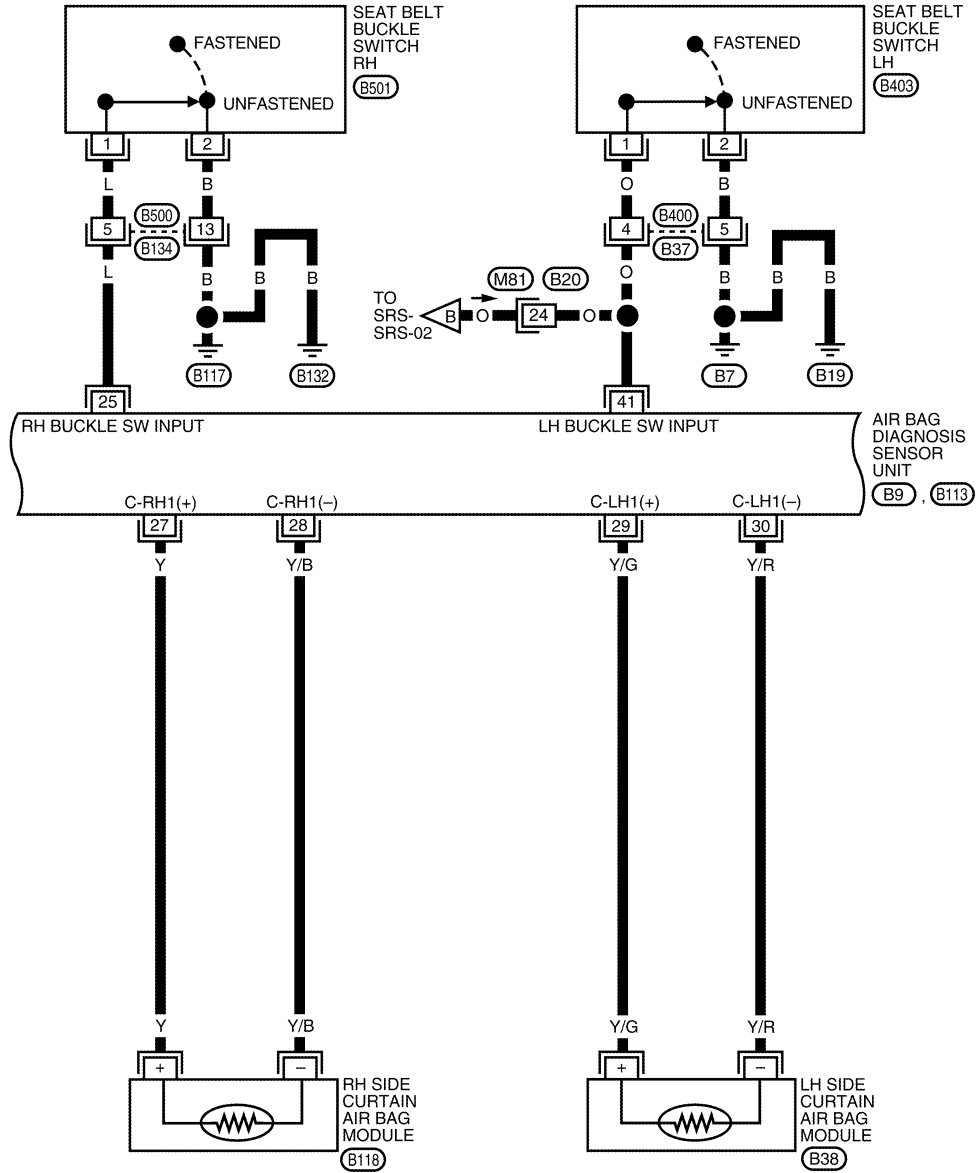
A
B
C
D
E
F
G
H
I
J
K
L
M
N
O
P

SRS

TROUBLE DIAGNOSIS

< SERVICE INFORMATION >

SRS-SRS-04



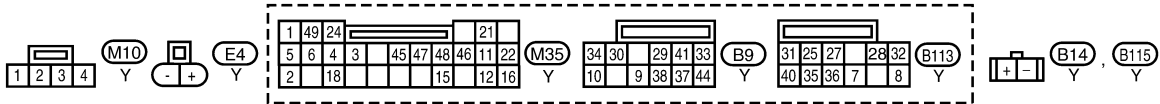
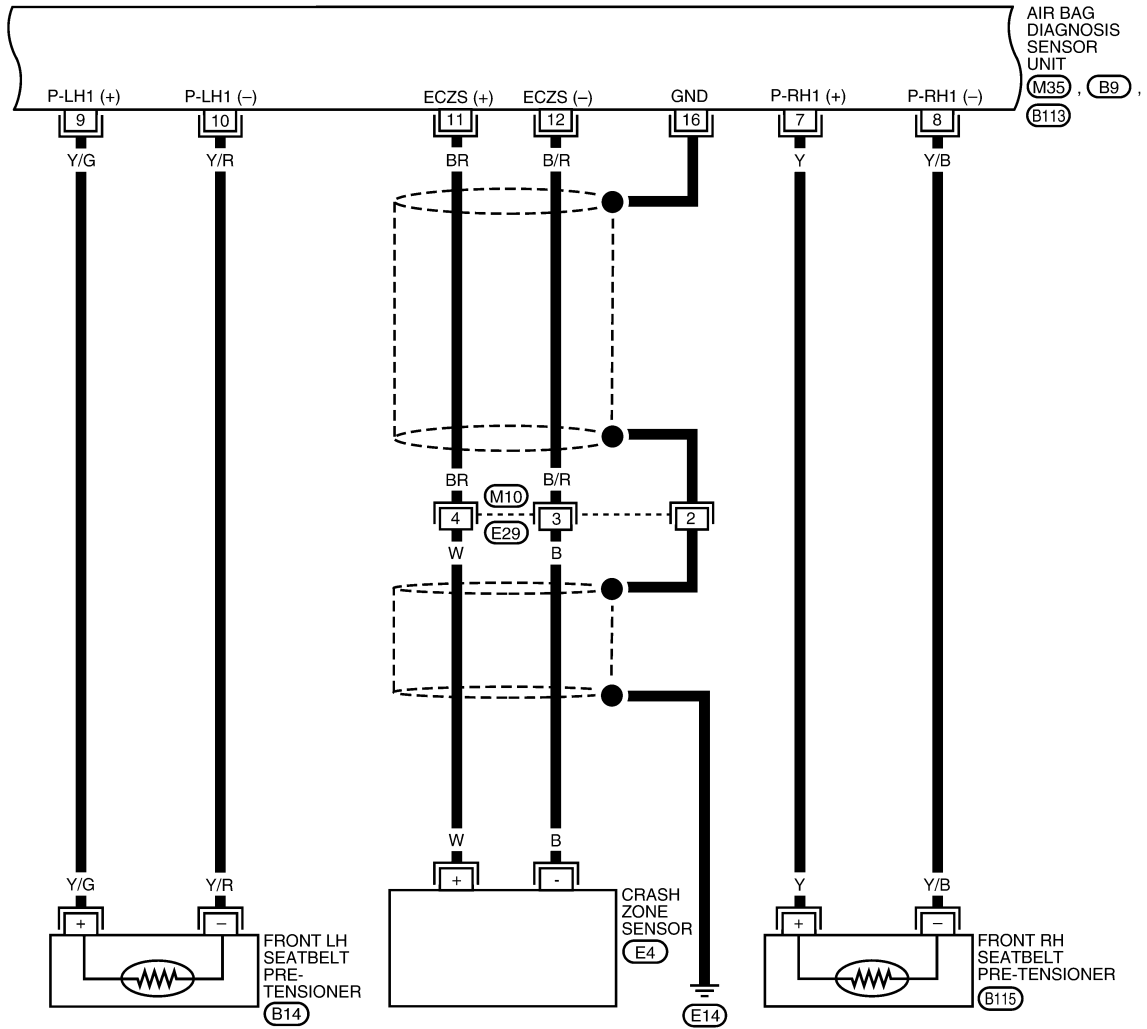
*: THIS CONNECTOR IS NOT SHOWN IN "HARNESS LAYOUT" OF PG SECTION.

WHWA0292E

TROUBLE DIAGNOSIS

< SERVICE INFORMATION >

SRS-SRS-05



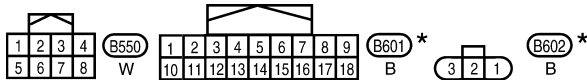
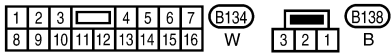
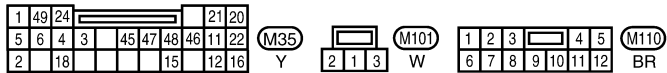
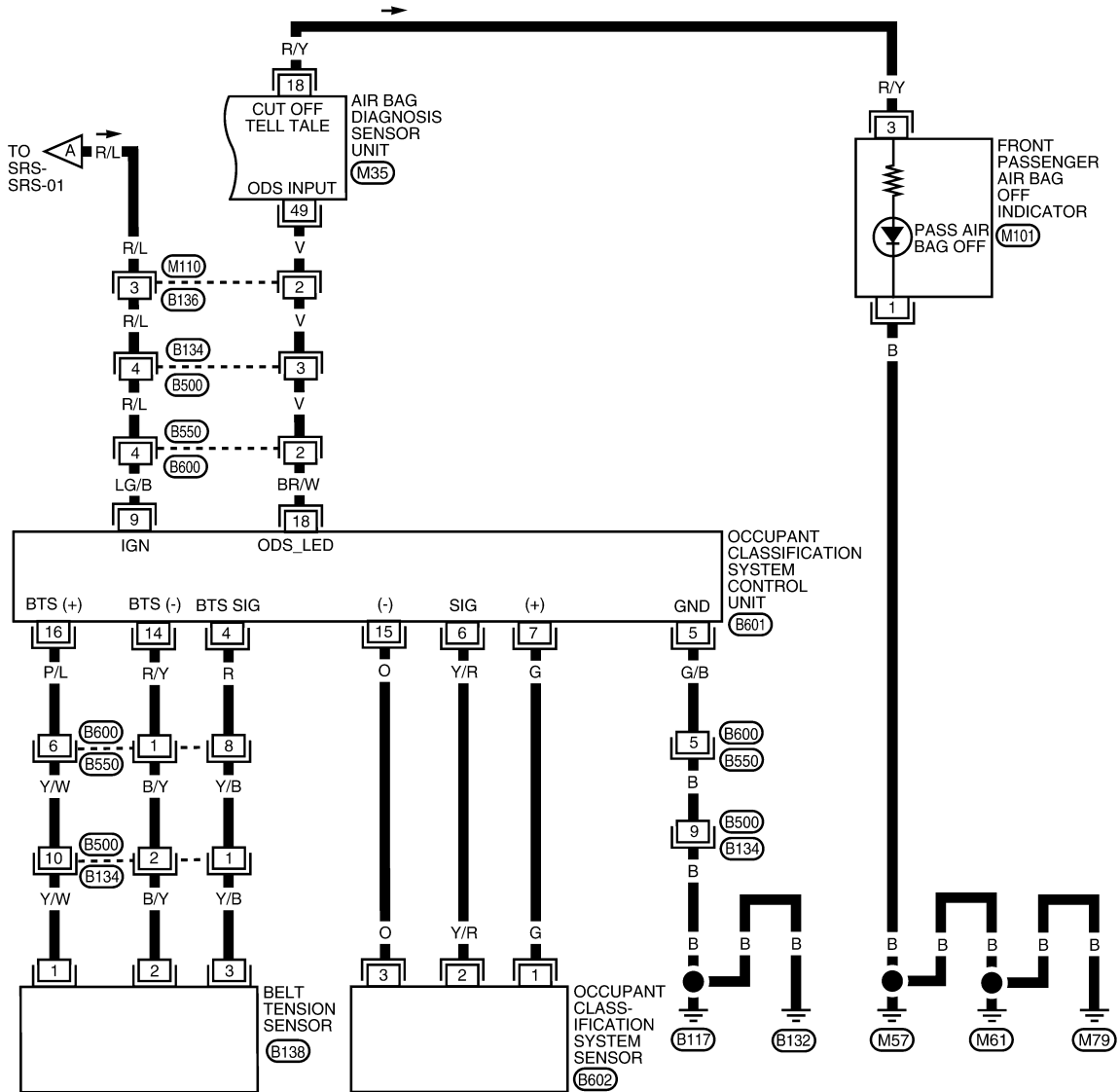
WHWA0202E

A
B
C
D
E
F
G
SRS
I
J
K
L
M
N
O
P

TROUBLE DIAGNOSIS

< SERVICE INFORMATION >

SRS-SRS-06



*: THIS CONNECTOR IS NOT SHOWN IN "HARNESS LAYOUT" OF PG SECTION.

WHWA0293E

CONSULT-III Function (AIR BAG)

INFOID:000000001721012

CONSULT-III can display each diagnostic item using the diagnostic test modes shown following.

TROUBLE DIAGNOSIS

< SERVICE INFORMATION >

AIR BAG diagnostic mode	Description
SELF-DIAG [CURRENT]	A current Self-diagnosis result (also indicated by the number of warning lamp flashes in the Diagnosis mode) is displayed on the CONSULT-III screen in real time. This refers to a malfunctioning part requiring repairs.
SELF-DIAG [PAST]	Diagnosis results previously stored in the memory are displayed on the CONSULT-III screen. The stored results will remain until memory erasing is executed.
TROUBLE DIAG RECORD	With TROUBLE DIAG RECORD, diagnosis results previously erased by a reset operation can be displayed on the CONSULT-III screen.
ECU DISCRIMINATED NO.	The air bag diagnosis sensor unit for each vehicle model is assigned with its own, individual classification number. This number will be displayed on the CONSULT-III screen, as shown. When replacing the air bag diagnosis sensor unit, refer to the part number for the compatibility. After installation, replacement with a correct unit can be checked by confirming this classification number on the CONSULT-III screen. The air bag diagnosis sensor unit discriminated number assigned is F643.
PASSENGER AIR BAG	The STATUS (readiness) of the front passenger air bag module is displayed. The STATUS displayed (ON/OFF) depends on the signals supplied to the occupant classification system control module and air bag diagnosis sensor unit. Refer to SRS-5. "Occupant Classification System (OCS)" for more information.

HOW TO CHANGE SELF-DIAGNOSIS MODE WITH CONSULT-III

From User Mode to Diagnosis Mode

After selecting "AIR BAG" on the "SELECT SYSTEM" screen, User mode automatically changes to Diagnosis mode.

From Diagnosis Mode to User Mode

To return to User mode from Diagnosis mode, touch "BACK" key of CONSULT-III until "SELECT SYSTEM" appears, Diagnosis mode automatically changes to User mode.

HOW TO ERASE SELF-DIAGNOSIS RESULTS

• "SELF-DIAG [CURRENT]"

A current self-diagnosis result is displayed on the CONSULT-III screen in real time.

After the malfunction is repaired completely, no malfunction is detected on "SELF-DIAG [CURRENT]".

• "SELF-DIAG [PAST]"

Return to the "SELF-DIAG [CURRENT]" CONSULT-III screen by touching "BACK" key of CONSULT-III and select "SELF-DIAG [CURRENT]" in SELECT DIAG MODE. Touch "ERASE" in "SELF-DIAG [CURRENT]" mode.

NOTE:

If the memory of the malfunction in "SELF-DIAG [PAST]" is not erased, the User mode will continue to show the system malfunction by the operation of the warning lamp even if the malfunction is repaired completely.

• "TROUBLE DIAG RECORD"

The memory of "TROUBLE DIAG RECORD" cannot be erased.

Self-Diagnosis Function (Without CONSULT-III)

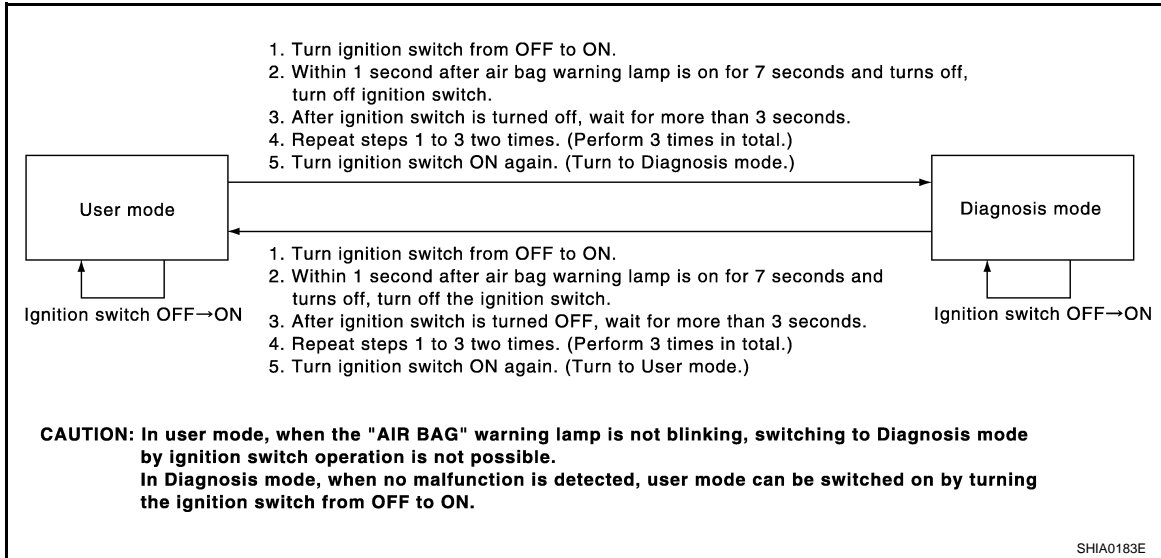
INFOID:000000001721013

- The reading of these results is accomplished using one of two modes — "User mode" and "Diagnosis mode".
- After a malfunction is repaired, turn the ignition switch OFF for at least one second, then back ON. Diagnosis mode returns to the User mode. At that time, the self-diagnostic result is cleared.

TROUBLE DIAGNOSIS

< SERVICE INFORMATION >

HOW TO CHANGE SELF-DIAGNOSIS MODE



HOW TO ERASE SELF-DIAGNOSIS RESULTS

After a malfunction is repaired, turn the ignition switch OFF for at least one second, then back ON. Diagnosis mode returns to the User mode. At that time, the self-diagnostic result is cleared.

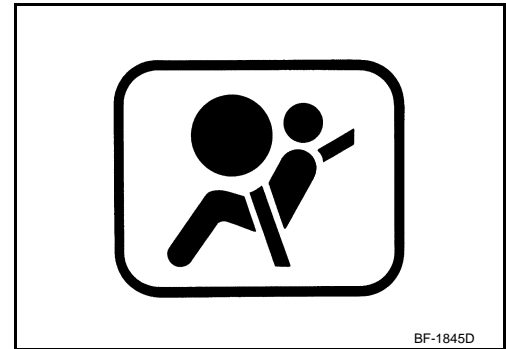
SRS Operation Check

INFOID:000000001721014

DIAGNOSTIC PROCEDURE 1

Checking SRS Operation Using "AIR BAG" Warning Lamp—User Mode

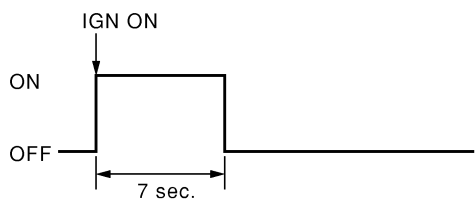
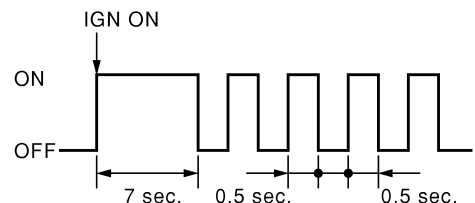
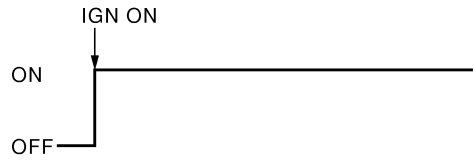
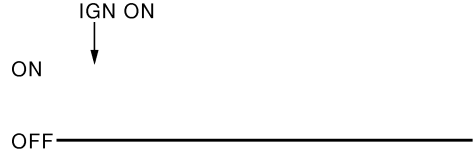
1. Turn the ignition switch from OFF to ON, and check that the air bag warning lamp blinks.
2. Compare the SRS air bag warning lamp blinking pattern with the examples.



TROUBLE DIAGNOSIS

< SERVICE INFORMATION >

Warning lamp examples

"AIR BAG" warning lamp operation-User mode-	SRS condition	Reference item
 <p style="text-align: right;">SHIA0011E</p>	<ul style="list-style-type: none"> No malfunction is detected. No further action is necessary. 	<p style="text-align: center;">—</p>
 <p style="text-align: right;">SHIA0012E</p>	<p>The system is malfunctioning and needs to be repaired as indicated.</p>	<p>Go to SRS-19, "Trouble Diagnosis with CONSULT-III" or SRS-27, "Trouble Diagnosis without CONSULT-III".</p>
 <p style="text-align: right;">SHIA0013E</p>	<ul style="list-style-type: none"> Air bag is deployed. Seat belt pre-tensioner is deployed. Air bag diagnosis sensor unit is malfunctioning. Air bag power supply circuit is malfunctioning. SRS air bag warning lamp circuit is malfunctioning. 	<p>Go to SRS-45.</p> <p>Go to SRS-30, "Trouble Diagnosis: "AIR BAG" Warning Lamp Does Not Turn Off".</p>
 <p style="text-align: right;">SHIA0014E</p>	<ul style="list-style-type: none"> Air bag diagnosis sensor unit is malfunctioning. Air bag warning lamp circuit is malfunctioning. 	<p>Go to SRS-31, "Trouble Diagnosis: "AIR BAG" Warning Lamp Does Not Turn On".</p>

A
B
C
D
E
F
G
I
J
K
L
M
N
O
P

SRS

Trouble Diagnosis with CONSULT-III

INFOID:000000001721015

DIAGNOSTIC PROCEDURE 2

Perform SRS SELF-DIAG on CONSULT-III.

Diagnostic code is displayed on "SELF-DIAG [CURRENT]".

If no malfunction is detected on "SELF-DIAG [CURRENT]" even though malfunction is detected in "SRS Operation Check", refer to "DIAGNOSTIC PROCEDURE 4 (CONTINUED FROM DIAGNOSTIC PROCEDURE 2)", to diagnose the following cases:

TROUBLE DIAGNOSIS

< SERVICE INFORMATION >

- Self-diagnostic result "SELF-DIAG [PAST]" (previously stored in the memory) might not be erased after repair.
- The SRS system malfunctions intermittently.

CONSULT-III Diagnostic Code Chart ("SELF-DIAG [CURRENT]")

Diagnostic item	Explanation	Repair order Recheck SRS at each replacement
NO DTC IS DETECTED	When malfunction is indicated by the "AIR BAG" warning lamp in User mode. <ul style="list-style-type: none"> • Low battery voltage (Less than 9V) • Self-diagnostic result "SELF-DIAG [PAST]" (previously stored in the memory) might not be erased after repair. • Intermittent malfunction has been detected in the past. 	<ul style="list-style-type: none"> • Go to "DIAGNOSTIC PROCEDURE 3" . • Go to "DIAGNOSTIC PROCEDURE 4 (CONTINUED FROM DIAGNOSTIC PROCEDURE 2)" . • Go to "DIAGNOSTIC PROCEDURE 5" .
	<ul style="list-style-type: none"> • No malfunction is detected. 	—
DRIVER AIRBAG MODULE [OPEN] [B1049] or [B1054]	<ul style="list-style-type: none"> • Driver air bag module circuit is open (including the spiral cable). 	<ol style="list-style-type: none"> 1. Visually check the wiring harness connection. 2. Replace the harness if it has visible damage.
DRIVER AIRBAG MODULE [VB-SHORT] [B1050] or [B1055]	<ul style="list-style-type: none"> • Driver air bag module circuit is shorted to some power supply circuit (including the spiral cable). 	<ol style="list-style-type: none"> 3. Replace driver air bag module. 4. Replace the spiral cable. 5. Replace the air bag diagnosis sensor unit.
DRIVER AIRBAG MODULE [GND-SHORT] [B1051] or [B1056]	<ul style="list-style-type: none"> • Driver air bag module circuit is shorted to ground (including the spiral cable). 	<ol style="list-style-type: none"> 6. Replace the related harness.
DRIVER AIRBAG MODULE [SHORT] [B1052] or [B1057]	<ul style="list-style-type: none"> • Driver air bag module circuits are shorted to each other. 	
ASSIST A/B MODULE [OPEN] [B1065] or [B1070]	<ul style="list-style-type: none"> • Front passenger air bag module circuit is open. 	<ol style="list-style-type: none"> 1. Visually check the wiring harness connection. 2. Replace the harness if it has visible damage.
ASSIST A/B MODULE [VB-SHORT] [B1066] or [B1071]	<ul style="list-style-type: none"> • Front passenger air bag module circuit is shorted to some power supply circuit. 	<ol style="list-style-type: none"> 3. Replace front passenger air bag module. 4. Replace the air bag diagnosis sensor unit.
ASSIST A/B MODULE [GND-SHORT] [B1067] or [B1072]	<ul style="list-style-type: none"> • Front passenger air bag module circuit is shorted to ground. 	<ol style="list-style-type: none"> 5. Replace the related harness.
ASSIST A/B MODULE [SHORT] [B1068] or [B1073]	<ul style="list-style-type: none"> • Front passenger air bag module circuits are shorted to each other. 	
CRASH ZONE SEN [UNIT FAIL] [B1033] or [B1034] CRASH ZONE SEN [COMM FAIL] [B1035]	<ul style="list-style-type: none"> • Crash zone sensor 	<ol style="list-style-type: none"> 1. Visually check the wiring harness connection. 2. Replace the harness if it has visible damage. 3. Replace the crash zone sensor. 4. Replace the air bag diagnosis sensor unit. 5. Replace the related harness.

TROUBLE DIAGNOSIS

< SERVICE INFORMATION >

Diagnostic item	Explanation	Repair order Recheck SRS at each replacement	
SIDE MODULE LH [OPEN] [B1134]	<ul style="list-style-type: none"> Front LH side air bag module circuit is open. 	<ol style="list-style-type: none"> 1. Visually check the wiring harness connection. 2. Replace the harness if it has visible damage. 3. Replace front LH seat back assembly (front LH side air bag module). 4. Replace the air bag diagnosis sensor unit. 5. Replace the related harness. 	A
SIDE MODULE LH [VB-SHORT] [B1135]	<ul style="list-style-type: none"> Front LH side air bag module circuit is shorted to some power supply circuit. 		B
SIDE MODULE LH [GND-SHORT] [B1136]	<ul style="list-style-type: none"> Front LH side air bag module circuit is shorted to ground. 		C
SIDE MODULE LH [SHORT] [B1137]	<ul style="list-style-type: none"> Front LH side air bag module circuits are shorted to each other. 		D
SIDE MODULE RH [OPEN] [B1129]	<ul style="list-style-type: none"> Front RH side air bag module circuit is open. 	<ol style="list-style-type: none"> 1. Visually check the wiring harness connection. 2. Replace the harness if it has visible damage. 3. Replace front RH seat back assembly (front RH side air bag module). 4. Replace the air bag diagnosis sensor unit. 5. Replace the related harness. 	E
SIDE MODULE RH [VB-SHORT] [B1130]	<ul style="list-style-type: none"> Front RH side air bag module circuit is shorted to some power supply circuit. 		F
SIDE MODULE RH [GND-SHORT] [B1131]	<ul style="list-style-type: none"> Front RH side air bag module circuit is shorted to ground. 		G
SIDE MODULE RH [SHORT] [B1132]	<ul style="list-style-type: none"> Front RH side air bag module circuits are shorted to each other. 		SRS
SATELLITE SENS LH [UNIT FAIL] [B1118] or [B1119] SATELLITE SENS LH [COMM FAIL] [B1120]	<ul style="list-style-type: none"> LH side air bag (satellite) sensor 	<ol style="list-style-type: none"> 1. Visually check the wiring harness connection. 2. Replace the harness if it has visible damage. 3. Replace the LH side air bag (satellite) sensor. 4. Replace the air bag diagnosis sensor unit. 5. Replace the related harness. 	I
SATELLITE SENS RH [UNIT FAIL] [B1113] or [B1114] SATELLITE SENS RH [COMM FAIL] [B1115]	<ul style="list-style-type: none"> RH side air bag (satellite) sensor 		J
PRE-TEN FRONT LH [OPEN] [B1086]	<ul style="list-style-type: none"> The circuit for front LH seat belt pre-tensioner is open. 	<ol style="list-style-type: none"> 1. Visually check the wiring harness connections. 2. Replace the harness if it has visible damage. 3. Replace front LH seat belt pre-tensioner. 4. Replace the air bag diagnosis sensor unit. 5. Replace the related harness. 	K
PRE-TEN FRONT LH [VB-SHORT] [B1087]	<ul style="list-style-type: none"> The circuit for front LH seat belt pre-tensioner is shorted to some power supply circuit. 		L
PRE-TEN FRONT LH [GND-SHORT] [B1088]	<ul style="list-style-type: none"> The circuit for front LH seat belt pre-tensioner is shorted to ground. 		M
PRE-TEN FRONT LH [SHORT] [B1089]	<ul style="list-style-type: none"> The circuits for the front LH seat belt pre-tensioner are shorted to each other. 		N
			O
			P

TROUBLE DIAGNOSIS

< SERVICE INFORMATION >

Diagnostic item	Explanation	Repair order Recheck SRS at each replacement
PRE-TEN FRONT RH [OPEN] [B1081]	<ul style="list-style-type: none"> The circuit for front RH seat belt pre-tensioner is open. 	<ol style="list-style-type: none"> 1. Visually check the wiring harness connections. 2. Replace the harness if it has visible damage. 3. Replace front RH seat belt pre-tensioner. 4. Replace the air bag diagnosis sensor unit. 5. Replace the related harness.
PRE-TEN FRONT RH [VB-SHORT] [B1082]	<ul style="list-style-type: none"> The circuit for front RH seat belt pre-tensioner is shorted to some power supply circuit. 	
PRE-TEN FRONT RH [GND-SHORT] [B1083]	<ul style="list-style-type: none"> The circuit for front RH seat belt pre-tensioner is shorted to ground. 	
PRE-TEN FRONT RH [SHORT] [B1084]	<ul style="list-style-type: none"> The circuits for the front RH seat belt pre-tensioner are shorted to each other. 	
CURTAIN MODULE LH [OPEN] [B1150]	<ul style="list-style-type: none"> The LH side curtain air bag module circuit is open. 	<ol style="list-style-type: none"> 1. Visually check the wiring harness connection. 2. Replace the harness if it has visible damage. 3. Replace LH side curtain air bag module. 4. Replace the air bag diagnosis sensor unit. 5. Replace the related harness.
CURTAIN MODULE LH [VB-SHORT] [B1151]	<ul style="list-style-type: none"> The LH side curtain air bag module circuit is shorted to some power supply circuits. 	
CURTAIN MODULE LH [GND-SHORT] [B1152]	<ul style="list-style-type: none"> The LH side curtain air bag module circuit is shorted to ground. 	
CURTAIN MODULE LH [SHORT] [B1153]	<ul style="list-style-type: none"> The circuits for the LH side curtain air bag module are shorted to each other. 	
CURTAIN MODULE RH [OPEN] [B1145]	<ul style="list-style-type: none"> The RH side curtain air bag module circuit is open. 	<ol style="list-style-type: none"> 1. Visually check the wiring harness connection. 2. Replace the harness if it has visible damage. 3. Replace RH side curtain air bag module. 4. Replace the air bag diagnosis sensor unit. 5. Replace the related harness.
CURTAIN MODULE RH [VB-SHORT] [B1146]	<ul style="list-style-type: none"> The RH side curtain air bag module circuit is shorted to some power supply circuits. 	
CURTAIN MODULE RH [GND-SHORT] [B1147]	<ul style="list-style-type: none"> The RH side curtain air bag module circuit is shorted to ground. 	
CURTAIN MODULE RH [SHORT] [B1148]	<ul style="list-style-type: none"> The circuits for the RH side curtain air bag module are shorted to each other. 	
CONTROL UNIT [B1XXX]	<ul style="list-style-type: none"> Air bag diagnosis sensor unit is malfunctioning. 	<ol style="list-style-type: none"> 1. Visually check the wiring harness connection. 2. Replace the air bag diagnosis sensor unit.
OCCUPANT SENS C/U [UNIT FAIL] [B1017], [B1020] or [B1021]	<ul style="list-style-type: none"> Occupant classification system is malfunctioning. 	<ol style="list-style-type: none"> 1. Replace RH front seat cushion/occupant classification system control unit assembly.
OCCUPANT SENS C/U [COMM FAIL] [B1022]	<ul style="list-style-type: none"> Communication between the occupant classification system control unit and air bag diagnosis sensor unit is interrupted. 	<ol style="list-style-type: none"> 1. Visually check the wiring harness connection. 2. Replace the harness if it has visible damage. 3. Replace RH front seat cushion/occupant classification system control unit assembly. 4. Replace the air bag diagnosis sensor unit. 5. Replace the related harness.
OCCUPANT SENS [UNIT FAIL] [B1018]	<ul style="list-style-type: none"> Occupant classification sensor is malfunctioning. 	<ol style="list-style-type: none"> 1. Replace RH front seat cushion/occupant classification system control unit assembly.

TROUBLE DIAGNOSIS

< SERVICE INFORMATION >

Diagnostic item	Explanation	Repair order Recheck SRS at each replacement	
BELT TENSION SENS [UNIT FAIL] [B1019]	<ul style="list-style-type: none"> Belt tension sensor is malfunctioning. 	<ol style="list-style-type: none"> Visually check the wiring harness connection. Replace the harness if it has visible damage. Replace RH front seat belt assembly. Replace RH front seat cushion/occupant classification system control unit assembly. Replace the related harness. 	A B C
PASS A/B INDCTR CKT [B1023]	<ul style="list-style-type: none"> Front passenger air bag off indicator is malfunctioning. 	<ol style="list-style-type: none"> Visually check the wiring harness connection. Replace the harness if it has visible damage. Replace front passenger air bag off indicator. Replace the air bag diagnosis sensor unit. Replace the related harness. 	D E F
FRONTAL COLLISION DETECTION [B1209]	<ul style="list-style-type: none"> Driver and front passenger air bag modules are deployed. 	<ol style="list-style-type: none"> Refer to SRS-45. 	G
SIDE COLLISION DETECTION [B1210]	<ul style="list-style-type: none"> Side or curtain air bag modules are deployed (with side air bags only). 	<ol style="list-style-type: none"> Refer to SRS-45. 	G SRS

NOTE:

Follow the procedures in numerical order when repairing malfunctioning parts. Confirm whether malfunction is eliminated using air bag warning lamp or CONSULT-III each time repair is finished. If malfunction is still observed, proceed to the next step. When malfunction is eliminated, further repair work is not required.

DIAGNOSTIC PROCEDURE 3

Final Check of SRS Using CONSULT-III—Diagnosis Mode
Perform SRS SELF-DIAG on CONSULT-III.

- After repairing SRS, connect both battery cables.
- If no malfunction is detected on "SELF-DIAG [CURRENT]", repair of SRS is completed. Go to step 3. If any malfunction is detected on "SELF-DIAG [CURRENT]", the malfunctioning part is not repaired completely or another malfunctioning part is detected. Go to "DIAGNOSTIC PROCEDURE 2", and repair malfunctioning part completely.
- Touch "ERASE".
NOTE:
Touch "ERASE" to clear the memory of the malfunction ("SELF-DIAG [PAST]").
If the memory of the malfunction in "SELF-DIAG [PAST]" is not erased, the User mode shows the system malfunction by the operation of the warning lamp even if the malfunction is repaired completely.
- Touch "BACK" key of CONSULT-III to "SELECT DIAG MODE" screen. Touch "SELF-DIAG [PAST]".
- Check that no malfunction is detected on "SELF-DIAG [PAST]".
- Touch "BACK" key of CONSULT-III until "SELECT SYSTEM" appears in order to return to User mode from Diagnosis mode.
- Turn ignition switch OFF then turn off and disconnect CONSULT-III.
- Go to [SRS-18, "SRS Operation Check"](#).

DIAGNOSTIC PROCEDURE 4 (CONTINUED FROM DIAGNOSTIC PROCEDURE 2)

Check SRS Repair History

TROUBLE DIAGNOSIS

< SERVICE INFORMATION >

1. CONSIDER POSSIBILITY THAT SELF-DIAGNOSTIC RESULT WAS NOT ERASED AFTER REPAIR

Check repair history of the SRS.

Have any previous repairs been made to the SRS?

- Yes >> Self-diagnostic result "SELF-DIAG [PAST]" (previously stored in the memory) might not be erased after repair. Go to "DIAGNOSTIC PROCEDURE 3".
- No >> Go to "DIAGNOSTIC PROCEDURE 2".

DIAGNOSTIC PROCEDURE 5

Check SRS Intermittent Malfunction Using CONSULT-III—Diagnosis Mode
Perform SRS SELF-DIAG on CONSULT-III.

1. If diagnostic codes are displayed on "SELF-DIAG [PAST]", go to step 4.

If no malfunction is detected on "SELF-DIAG [PAST]", touch "BACK" and go back to "SELECT DIAG MODE".

2. Touch "TROUBLE DIAG RECORD".

NOTE:

With "TROUBLE DIAG RECORD", diagnosis results previously erased by a reset operation can be displayed.

3. Diagnostic code is displayed on "TROUBLE DIAG RECORD".
4. Touch "PRINT".
5. Compare diagnostic codes to "CONSULT-III Diagnostic Code Chart ("SELF-DIAG [PAST]" or "TROUBLE DIAG RECORD)".
6. Touch "BACK" key of CONSULT-III until "SELECT SYSTEM" appears.
7. Turn ignition switch OFF, then turn off and disconnect CONSULT-III, and both battery cables.
8. Repair the system as outlined by the "Repair order" in "Intermittent Malfunction Diagnostic Code Chart", that corresponds to the self-diagnostic result. For replacement procedure of component parts, refer to the Removal and Installation procedure for the appropriate component.
9. Go to "DIAGNOSTIC PROCEDURE 3", for final checking.

CONSULT-III Diagnostic Code Chart ("SELF-DIAG [PAST]" or "TROUBLE DIAG RECORD")

Diagnostic item	Explanation	Repair order Recheck SRS at each replacement
NO DTC IS DETECTED	When malfunction is indicated by the "AIR BAG" warning lamp in User mode. <ul style="list-style-type: none"> • Low battery voltage (Less than 9V) • Self-diagnostic result "SELF-DIAG [PAST]" (previously stored in the memory) might not be erased after repair. • Intermittent malfunction has been detected in the past. 	<ul style="list-style-type: none"> • Go to "DIAGNOSTIC PROCEDURE 3" . • Go to "DIAGNOSTIC PROCEDURE 4 (CONTINUED FROM DIAGNOSTIC PROCEDURE 2)" . • Go to "DIAGNOSTIC PROCEDURE 5" .
	<ul style="list-style-type: none"> • No malfunction is detected. 	—
DRIVER AIRBAG MODULE [OPEN] [B1049] or [B1054]	<ul style="list-style-type: none"> • Driver air bag module circuit is open (including the spiral cable). 	<ol style="list-style-type: none"> 1. Visually check the wiring harness connection. 2. Replace the harness if it has visible damage. 3. Replace driver air bag module. 4. Replace the spiral cable. 5. Replace the air bag diagnosis sensor unit. 6. Replace the related harness.
DRIVER AIRBAG MODULE [VB-SHORT] [B1050] or [B1055]	<ul style="list-style-type: none"> • Driver air bag module circuit is shorted to some power supply circuit (including the spiral cable). 	
DRIVER AIRBAG MODULE [GND-SHORT] [B1051] or [B1056]	<ul style="list-style-type: none"> • Driver air bag module circuit is shorted to ground (including the spiral cable). 	
DRIVER AIRBAG MODULE [SHORT] [B1052] or [B1057]	<ul style="list-style-type: none"> • Driver air bag module circuits are shorted to each other. 	

TROUBLE DIAGNOSIS

< SERVICE INFORMATION >

Diagnostic item	Explanation	Repair order Recheck SRS at each replacement	
ASSIST A/B MODULE [OPEN] [B1065] or [B1070]	<ul style="list-style-type: none"> Front passenger air bag module circuit is open. 	<ol style="list-style-type: none"> Visually check the wiring harness connection. Replace the harness if it has visible damage. Replace front passenger air bag module. Replace the air bag diagnosis sensor unit. Replace the related harness. 	A
ASSIST A/B MODULE [VB-SHORT] [B1066] or [B1071]	<ul style="list-style-type: none"> Front passenger air bag module circuit is shorted to some power supply circuit. 		B
ASSIST A/B MODULE [GND-SHORT] [B1067] or [B1072]	<ul style="list-style-type: none"> Front passenger air bag module circuit is shorted to ground. 		C
ASSIST A/B MODULE [SHORT] [B1068] or [B1073]	<ul style="list-style-type: none"> Front passenger air bag module circuits are shorted to each other. 		D
CRASH ZONE SEN [UNIT FAIL] [B1033] or [B1034] CRASH ZONE SEN [COMM FAIL] [B1035]	<ul style="list-style-type: none"> Crash zone sensor 	<ol style="list-style-type: none"> Visually check the wiring harness connection. Replace the harness if it has visible damage. Replace the crash zone sensor. Replace the air bag diagnosis sensor unit. Replace the related harness. 	E
SIDE MODULE LH [OPEN] [B1134]	<ul style="list-style-type: none"> Front LH side air bag module circuit is open. 		F
SIDE MODULE LH [VB-SHORT] [B1135]	<ul style="list-style-type: none"> Front LH side air bag module circuit is shorted to some power supply circuit. 		G
SIDE MODULE LH [GND-SHORT] [B1136]	<ul style="list-style-type: none"> Front LH side air bag module circuit is shorted to ground. 		I
SIDE MODULE LH [SHORT] [B1137]	<ul style="list-style-type: none"> Front LH side air bag module circuits are shorted to each other. 	<ol style="list-style-type: none"> Visually check the wiring harness connection. Replace the harness if it has visible damage. Replace front LH seat back assembly (front LH side air bag module). Replace the air bag diagnosis sensor unit. Replace the related harness. 	J
SIDE MODULE RH [OPEN] [B1129]	<ul style="list-style-type: none"> Front RH side air bag module circuit is open. 		K
SIDE MODULE RH [VB-SHORT] [B1130]	<ul style="list-style-type: none"> Front RH side air bag module circuit is shorted to some power supply circuit. 		L
SIDE MODULE RH [GND-SHORT] [B1131]	<ul style="list-style-type: none"> Front RH side air bag module circuit is shorted to ground. 		M
SIDE MODULE RH [SHORT] [B1132]	<ul style="list-style-type: none"> Front RH side air bag module circuits are shorted to each other. 	<ol style="list-style-type: none"> Visually check the wiring harness connection. Replace the harness if it has visible damage. Replace the LH side air bag (satellite) sensor. Replace the air bag diagnosis sensor unit. Replace the related harness. 	N
SATELLITE SENS LH [UNIT FAIL] [B1118] or [B1119] SATELLITE SENS LH [COMM FAIL] [B1120]	<ul style="list-style-type: none"> LH side air bag (satellite) sensor 		O
			P

TROUBLE DIAGNOSIS

< SERVICE INFORMATION >

Diagnostic item	Explanation	Repair order Recheck SRS at each replacement
SATELLITE SENS RH [UNIT FAIL] [B1113] or [B1114] SATELLITE SENS RH [COMM FAIL] [B1115]	<ul style="list-style-type: none"> RH side air bag (satellite) sensor 	<ol style="list-style-type: none"> Visually check the wiring harness connection. Replace the harness if it has visible damage. Replace the RH side air bag (satellite) sensor. Replace the air bag diagnosis sensor unit. Replace the related harness.
PRE-TEN FRONT LH [OPEN] [B1086]	<ul style="list-style-type: none"> The circuit for front LH seat belt pre-tensioner is open. 	<ol style="list-style-type: none"> Visually check the wiring harness connections. Replace the harness if it has visible damage. Replace front LH seat belt pre-tensioner. Replace the air bag diagnosis sensor unit. Replace the related harness.
PRE-TEN FRONT LH [VB-SHORT] [B1087]	<ul style="list-style-type: none"> The circuit for front LH seat belt pre-tensioner is shorted to some power supply circuit. 	
PRE-TEN FRONT LH [GND-SHORT] [B1088]	<ul style="list-style-type: none"> The circuit for front LH seat belt pre-tensioner is shorted to ground. 	
PRE-TEN FRONT LH [SHORT] [B1089]	<ul style="list-style-type: none"> The circuits for the front LH seat belt pre-tensioner are shorted to each other. 	
PRE-TEN FRONT RH [OPEN] [B1081]	<ul style="list-style-type: none"> The circuit for front RH seat belt pre-tensioner is open. 	
PRE-TEN FRONT RH [VB-SHORT] [B1082]	<ul style="list-style-type: none"> The circuit for front RH seat belt pre-tensioner is shorted to some power supply circuit. 	<ol style="list-style-type: none"> Visually check the wiring harness connections. Replace the harness if it has visible damage. Replace front RH seat belt pre-tensioner. Replace the air bag diagnosis sensor unit. Replace the related harness.
PRE-TEN FRONT RH [GND-SHORT] [B1083]	<ul style="list-style-type: none"> The circuit for front RH seat belt pre-tensioner is shorted to ground. 	
PRE-TEN FRONT RH [SHORT] [B1084]	<ul style="list-style-type: none"> The circuits for the front RH seat belt pre-tensioner are shorted to each other. 	
CURTAIN MODULE LH [OPEN] [B1150]	<ul style="list-style-type: none"> The LH side curtain air bag module circuit is open. 	
CURTAIN MODULE LH [VB-SHORT] [B1151]	<ul style="list-style-type: none"> The LH side curtain air bag module circuit is shorted to some power supply circuits. 	<ol style="list-style-type: none"> Visually check the wiring harness connection. Replace the harness if it has visible damage. Replace LH side curtain air bag module. Replace the air bag diagnosis sensor unit. Replace the related harness.
CURTAIN MODULE LH [GND-SHORT] [B1152]	<ul style="list-style-type: none"> The LH side curtain air bag module circuit is shorted to ground. 	
CURTAIN MODULE LH [SHORT] [B1153]	<ul style="list-style-type: none"> The circuits for the LH side curtain air bag module are shorted to each other. 	
CURTAIN MODULE RH [OPEN] [B1145]	<ul style="list-style-type: none"> The RH side curtain air bag module circuit is open. 	
CURTAIN MODULE RH [VB-SHORT] [B1146]	<ul style="list-style-type: none"> The RH side curtain air bag module circuit is shorted to some power supply circuits. 	<ol style="list-style-type: none"> Visually check the wiring harness connection. Replace the harness if it has visible damage. Replace RH side curtain air bag module. Replace the air bag diagnosis sensor unit. Replace the related harness.
CURTAIN MODULE RH [GND-SHORT] [B1147]	<ul style="list-style-type: none"> The RH side curtain air bag module circuit is shorted to ground. 	
CURTAIN MODULE RH [SHORT] [B1148]	<ul style="list-style-type: none"> The circuits for the RH side curtain air bag module are shorted to each other. 	

TROUBLE DIAGNOSIS

< SERVICE INFORMATION >

Diagnostic item	Explanation	Repair order Recheck SRS at each replacement	
CONTROL UNIT [B1XXX]	<ul style="list-style-type: none"> Air bag diagnosis sensor unit is malfunctioning. 	<ol style="list-style-type: none"> Visually check the wiring harness connection. Replace the air bag diagnosis sensor unit. 	A B
OCCUPANT SENS C/U [UNIT FAIL] [B1017], [B1020] or [B1021]	<ul style="list-style-type: none"> Occupant classification system is malfunctioning. 	<ol style="list-style-type: none"> Replace RH front seat cushion/occupant classification system control unit assembly. 	C
OCCUPANT SENS C/U [COMM FAIL] [B1022]	<ul style="list-style-type: none"> Communication between the occupant classification system control unit and air bag diagnosis sensor unit is interrupted. 	<ol style="list-style-type: none"> Visually check the wiring harness connection. Replace the harness if it has visible damage. Replace RH front seat cushion/occupant classification system control unit assembly. Replace the air bag diagnosis sensor unit. Replace the related harness. 	D E
OCCUPANT SENS [UNIT FAIL] [B1018]	<ul style="list-style-type: none"> Occupant classification sensor is malfunctioning. 	<ol style="list-style-type: none"> Replace RH front seat cushion/occupant classification system control unit assembly. 	F G
BELT TENSION SENS [UNIT FAIL] [B1019]	<ul style="list-style-type: none"> Belt tension sensor is malfunctioning. 	<ol style="list-style-type: none"> Visually check the wiring harness connection. Replace the harness if it has visible damage. Replace RH front seat belt assembly. Replace RH front seat cushion/occupant classification system control unit assembly. Replace the related harness. 	G SRS I
PASS A/B INDCTR CKT [B1023]	<ul style="list-style-type: none"> Front passenger air bag off indicator is malfunctioning. 	<ol style="list-style-type: none"> Visually check the wiring harness connection. Replace the harness if it has visible damage. Replace front passenger air bag off indicator. Replace the air bag diagnosis sensor unit. Replace the related harness. 	J K L
FRONTAL COLLISION DETECTION [B1209]	<ul style="list-style-type: none"> Driver and front passenger air bag modules are deployed. 	<ol style="list-style-type: none"> Refer to SRS-45. 	M
SIDE COLLISION DETECTION [B1210]	<ul style="list-style-type: none"> Side or curtain air bag modules are deployed (with side air bags only). 	<ol style="list-style-type: none"> Refer to SRS-45. 	N O P

Trouble Diagnosis without CONSULT-III

INFOID:000000001721016

DIAGNOSTIC PROCEDURE 6

Inspect SRS Malfunction Using "AIR BAG" Warning Lamp—Diagnosis Mode

NOTE:

SRS will not enter Diagnosis mode if no malfunction is detected in User mode.

- Turn ignition switch ON.
- After "AIR BAG" warning lamp lights for 7 seconds, turn ignition switch OFF within 1 second.
- Wait more than 3 seconds.
- Repeat steps 1 to 3 two times.
- Turn ignition switch ON.

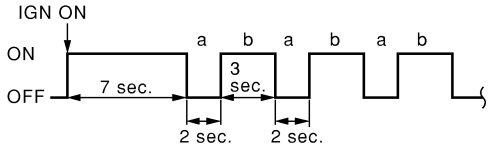
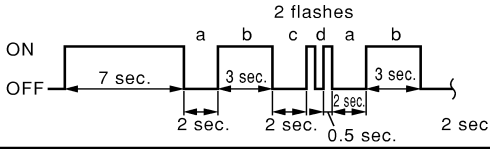
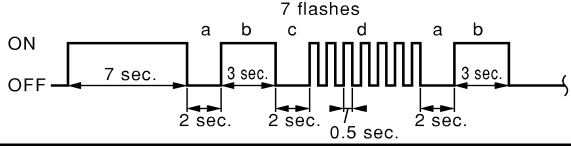
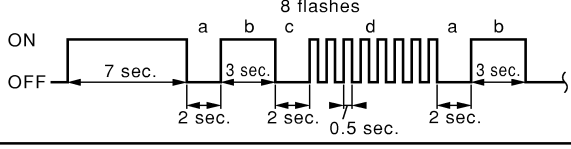
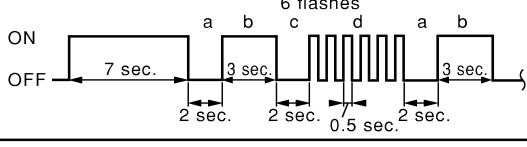
TROUBLE DIAGNOSIS

< SERVICE INFORMATION >

SRS is now in Diagnosis mode.

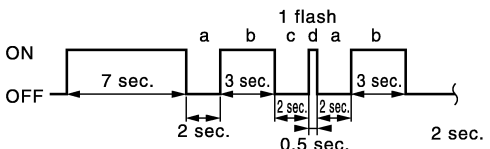
"AIR BAG" warning lamp operates in Diagnosis mode as follows:

WARNING LAMP FLASH CODE CHART

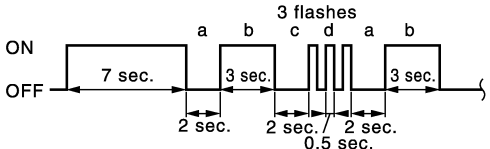
<Diagnosis results (previously stored in the memory) might not be erased after repair or intermittent malfunctions have been detected in the past.>	
Flash pattern a through b are repeated. 	Repair order 1. Go to DIAGNOSTIC PROCEDURES 2 and 3.
SHIA0026E	
<Driver air bag module>	
Flash pattern a through d are repeated. d: Two flashes indicate malfunctioning driver air bag module circuits.	Repair order 1. Visually check the wiring harness connection. 2. Replace the harness if it has visible damage. 3. Replace the spiral cable. 4. Replace driver air bag module. 5. Replace the air bag diagnosis sensor unit. 6. Replace the related harness.
	WHIA0260E
<Air bag diagnosis sensor unit>	
Flash pattern a through d are repeated. d: Seven flashes indicate malfunctioning diagnosis sensor unit circuit.	Repair order 1. Visually check the wiring harness connections. 2. Replace the harness if it has visible damage. 3. Replace the air bag diagnosis sensor unit. 4. Replace the related harness.
	WHIA0198E
<Front passenger air bag module>	
Flash pattern a through d are repeated. d: Eight flashes indicate malfunctioning front passenger air bag module circuit.	Repair order 1. Visually check the wiring harness connection. 2. Replace the harness if it has visible damage. 3. Replace front passenger air bag module. 4. Replace the air bag diagnosis sensor unit. 5. Replace the related harness.
	WHIA0261E
<Crash zone sensor>	
Flash pattern a through d are repeated. d: Six flashes indicate malfunctioning crash zone sensor circuit.	Repair order 1. Visually check the wiring harness connection. 2. Replace the harness if it has visible damage. 3. Replace the crash zone sensor. 4. Replace the air bag diagnosis sensor unit. 5. Replace the related harness.
	WHIA0200E

TROUBLE DIAGNOSIS

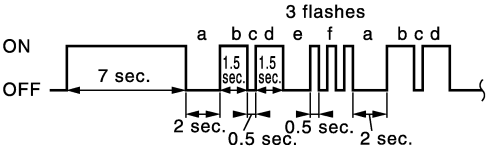
< SERVICE INFORMATION >

<Front RH seat belt pre-tensioner>	
Flash pattern	Repair order
<p>a through d are repeated. d: One flash indicates malfunctioning front RH seat belt pre-tensioner circuit.</p> 	<ol style="list-style-type: none"> 1. Visually check the wiring harness connections. 2. Replace the harness if it has visible damage. 3. Replace front RH seat belt pre-tensioner. 4. Replace the air bag diagnosis sensor unit. 5. Replace the related harness.

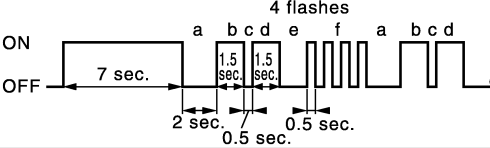
WHIA0262E

<Front LH seat belt pre-tensioner>	
Flash pattern	Repair order
<p>a through d are repeated. d: Three flashes indicate malfunctioning front LH seat belt pre-tensioner circuit.</p> 	<ol style="list-style-type: none"> 1. Visually check the wiring harness connections. 2. Replace the harness if it has visible damage. 3. Replace front LH seat belt pre-tensioner. 4. Replace the air bag diagnosis sensor unit. 5. Replace the related harness.

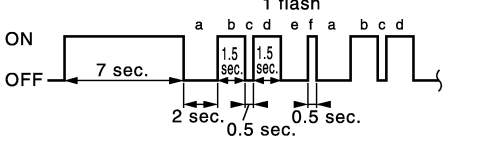
WHIA0263E

<RH side air bag (Satellite) sensor>	
Flash pattern	Repair order
<p>a through f are repeated. f: Three flashes indicate malfunctioning RH side air bag (Satellite) sensor circuit.</p> 	<ol style="list-style-type: none"> 1. Visually check the wiring harness connection. 2. Replace the harness if it has visible damage. 3. Replace the RH side air bag (Satellite) sensor. 4. Replace the air bag diagnosis sensor unit. 5. Replace the related harness.

WHIA0203E

<LH side air bag (Satellite) sensor>	
Flash pattern	Repair order
<p>a through f are repeated. f: Four flashes indicate malfunctioning LH side air bag (Satellite) sensor.</p> 	<ol style="list-style-type: none"> 1. Visually check the wiring harness connection. 2. Replace the harness if it has visible damage. 3. Replace the LH side air bag (Satellite) sensor. 4. Replace the air bag diagnosis sensor unit. 5. Replace the related harness.

WHIA0204E

<Front RH side air bag module>	
Flash pattern	Repair order
<p>a through f are repeated. f: One flash indicate malfunctioning front RH side air bag module circuit.</p> 	<ol style="list-style-type: none"> 1. Visually check the wiring harness connection. 2. Replace the harness if it has visible damage. 3. Replace front RH seat back assembly. 4. Replace the air bag diagnosis sensor unit. 5. Replace the related harness.

WHIA0264E

TROUBLE DIAGNOSIS

< SERVICE INFORMATION >

<Front LH side air bag module>	
Flash pattern	Repair order
<p>a through f are repeated. f: Two flashes indicate malfunctioning front LH side air bag module circuit.</p>	<ol style="list-style-type: none"> 1. Visually check the wiring harness connection. 2. Replace the harness if it has visible damage. 3. Replace front LH seat back assembly. 4. Replace the air bag diagnosis sensor unit. 5. Replace the related harness.

WHIA0265E

<RH side curtain air bag module>	
Flash pattern	Repair order
<p>a through f are repeated. f: Five flashes indicate malfunctioning RH side curtain air bag module circuit.</p>	<ol style="list-style-type: none"> 1. Visually check the wiring harness connection. 2. Replace the harness if it has visible damage. 3. Replace RH side curtain air bag module. 4. Replace the air bag diagnosis sensor unit. 5. Replace the related harness.

WHIA0266E

<LH side curtain air bag module>	
Flash pattern	Repair order
<p>a through f are repeated. f: Six flashes indicate malfunctioning LH side curtain air bag module circuit.</p>	<ol style="list-style-type: none"> 1. Visually check the wiring harness connection. 2. Replace the harness if it has visible damage. 3. Replace LH side curtain air bag module. 4. Replace the air bag diagnosis sensor unit. 5. Replace the related harness.

WHIA0267E

<Occupant classification system>	
Flash pattern	Repair order
<p>a through d are repeated. d: Five flashes indicate malfunctioning occupant classification system control unit.</p>	<ol style="list-style-type: none"> 1. Visually check the wiring harness connection. 2. Replace the harness if it has visible damage. 3. Replace the RH front seat cushion occupant classification system control unit assembly. 4. Replace the air bag diagnosis sensor unit.

WHIA0211E

<Front passenger air bag off indicator>	
Flash pattern	Repair order
<p>a through d are repeated. d: Eleven flashes indicate malfunctioning front passenger air bag off indicator.</p>	<ol style="list-style-type: none"> 1. Visually check the wiring harness connection. 2. Replace the harness if it has visible damage. 3. Replace front passenger air bag off indicator. 4. Replace the air bag diagnosis sensor unit. 5. Replace the related harness.

WHIA0212E

Trouble Diagnosis: "AIR BAG" Warning Lamp Does Not Turn Off

INFOID:000000001721017

DIAGNOSTIC PROCEDURE 6

TROUBLE DIAGNOSIS

< SERVICE INFORMATION >

1. CHECK CONDITION OF AIR BAG MODULE

Inspect for any deployed air bag modules or seat belt pre-tensioners.

Are any air bag modules or seat belt pre-tensioners deployed?

Yes >> Refer to [SRS-45](#).

No >> GO TO 2.

2. CHECK THE AIR BAG FUSE

Check 10A fuse [No. 13, located in the fuse block (J/B)].

Refer to [PG-3](#).

OK or NG

OK >> GO TO 4.

NG >> GO TO 3.

3. CHECK AIR BAG FUSE AGAIN

Replace 10A fuse [No. 13, located in the fuse block (J/B)] and turn ignition switch ON.

Does the fuse blow again?

Yes >> Repair harness.

No >> Inspection End.

4. CHECK AIR BAG DIAGNOSIS SENSOR UNIT

Ⓔ

Connect CONSULT-III and touch "START".

Is "AIR BAG" displayed on CONSULT-III?

Yes >> GO TO 5.

No >> Visually inspect the air bag diagnosis sensor unit harness connections. If the connections are OK, replace the air bag diagnosis sensor unit. Refer to [SRS-43, "Removal and Installation"](#).

5. CHECK HARNESS CONNECTION

Check for loose connections between the combination meter and the air bag diagnosis sensor unit.

OK or NG

OK >> Replace air bag diagnosis sensor unit. Refer to [SRS-43, "Removal and Installation"](#).

NG >> Properly connect the combination meter and air bag diagnosis sensor unit harness connectors. If "AIR BAG" warning lamp still does not turn off, replace the wiring harness.

Trouble Diagnosis: "AIR BAG" Warning Lamp Does Not Turn On

INFOID:000000001721018

DIAGNOSTIC PROCEDURE 7

1. CHECK METER FUSE

Check the 10A fuse [No. 14, located in the fuse block (J/B)].

Refer to [PG-3](#).

OK or NG

OK >> GO TO 3.

NG >> GO TO 2.

2. CHECK METER FUSE AGAIN

Replace 10A fuse [No. 14, located in the fuse block (J/B)] and turn ignition switch ON.

Does the fuse blow again?

Yes >> Repair harness.

No >> Inspection End.

3. CHECK HARNESS CONNECTION BETWEEN AIR BAG DIAGNOSIS SENSOR UNIT AND COMBINATION METER

Disconnect the air bag diagnosis sensor unit harness connectors and turn ignition switch ON.

Does "AIR BAG" warning lamp turn on?

Yes >> Replace the air bag diagnosis sensor unit. Refer to [SRS-43, "Removal and Installation"](#).

A
B
C
D
E
F
G
I
J
K
L
M
N
O
P

SRS

TROUBLE DIAGNOSIS

< SERVICE INFORMATION >

No >> Check the combination meter ground circuits.

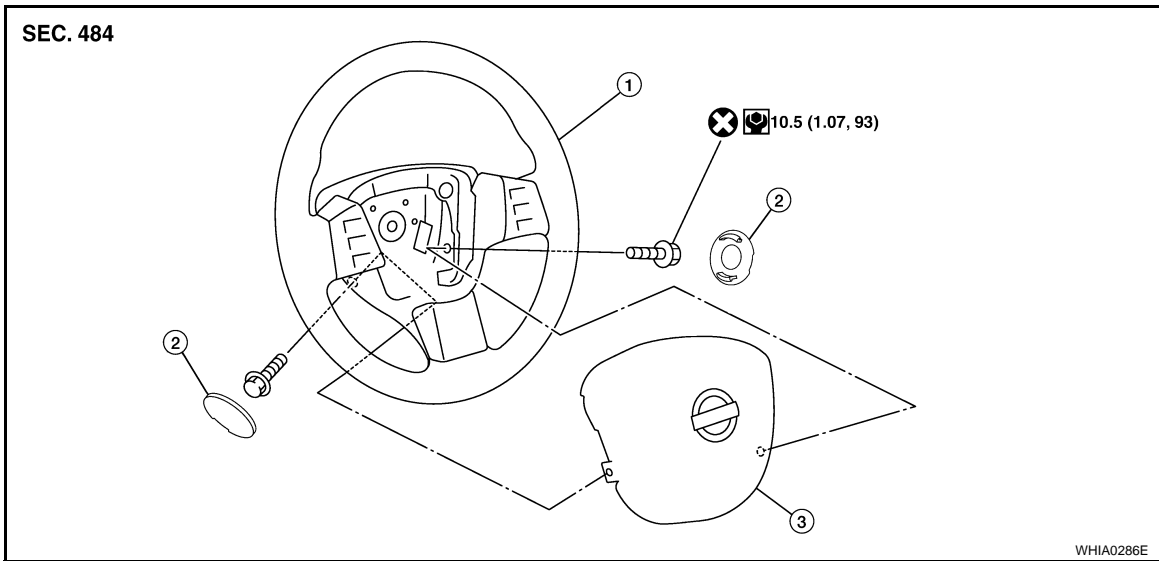
DRIVER AIR BAG MODULE

< SERVICE INFORMATION >

DRIVER AIR BAG MODULE

Removal and Installation

INFOID:000000001721019



1. Steering wheel

2. Bolt cover

3. Driver air bag module

REMOVAL

WARNING:

When servicing the SRS, do not work from directly in front of air bag module.

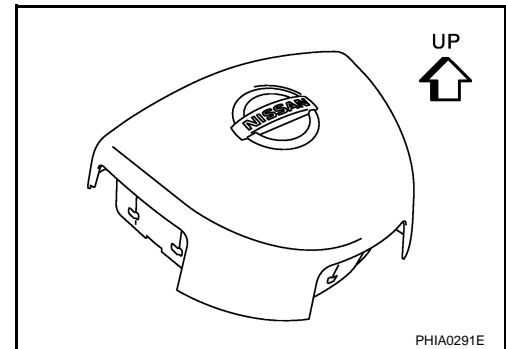
CAUTION:

- Do not attempt to repair or replace damaged direct-connect SRS component connectors. If a driver air bag direct-connect harness connector is damaged, the spiral cable must be replaced.
- Before servicing the SRS, turn ignition switch OFF, disconnect both battery cables and wait at least 3 minutes.

1. Disconnect negative and positive battery cables, then wait at least 3 minutes.
2. Remove the bolt covers.
3. Remove the driver air bag module bolts RH/LH.
4. Lift the driver air bag module from steering wheel, then disconnect the harness connectors.
 - For removal/installation of the direct-connect SRS connectors, refer to [SRS-6, "Direct-connect SRS Component Connectors"](#).
5. Remove driver air bag module from steering wheel.

CAUTION:

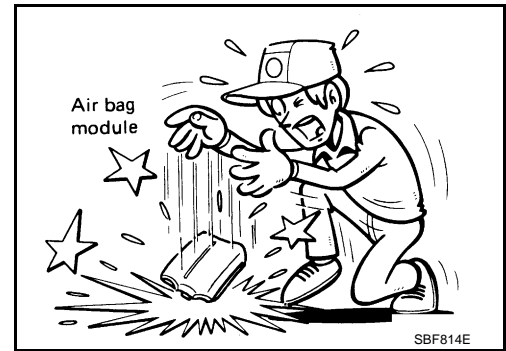
- Always place air bag module with pad side facing upward.
- Do not insert any foreign objects (screwdriver, etc.) into air bag module or harness connectors.
- Do not disassemble air bag module.
- Do not use old bolts after removal; replace with new bolts.
- Do not expose the air bag module to temperatures exceeding 90°C (194°F).



DRIVER AIR BAG MODULE

< SERVICE INFORMATION >

- Replace the air bag module if it has been dropped or sustained an impact.
- Do not allow oil, grease or water to come in contact with the air bag module.



INSTALLATION

Installation is in the reverse order of removal.

- For removal/installation of the direct-connect SRS connectors, refer to [SRS-6. "Direct-connect SRS Component Connectors"](#).
- After the work is completed, perform self-diagnosis to check that no malfunction is detected. Refer to [SRS-18. "SRS Operation Check"](#).

SPIRAL CABLE

< SERVICE INFORMATION >

SPIRAL CABLE

Removal and Installation

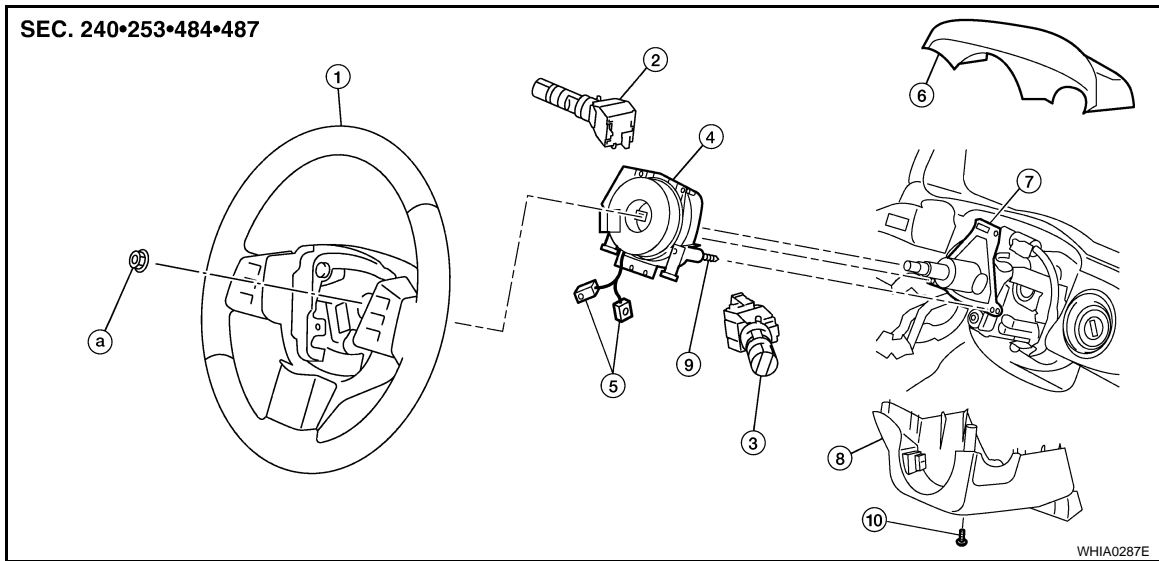
INFOID:000000001721020

WARNING:

When servicing the SRS, do not work from directly in front of air bag module.

CAUTION:

- Before servicing the SRS, turn ignition switch OFF, disconnect both battery cables and wait at least 3 minutes.
- Do not tap or bump the steering wheel.



- | | | |
|--------------------|------------------------------------|----------------------------|
| 1. Steering wheel | 2. Lighting and turn signal switch | 3. Wiper and washer switch |
| 4. Spiral cable | 5. Driver air bag module connector | 6. Column cover upper |
| 7. Column assembly | 8. Column cover lower | 9. Screw (Do not remove) |
| 10. Screw | a. Nut - Refer to PS section | |

REMOVAL

1. Disconnect negative and positive battery cables, then wait at least 3 minutes.
2. Remove driver air bag module. Refer to [SRS-33. "Removal and Installation"](#).
3. Set the steering wheel to the neutral position.
4. Remove the column cover upper and lower.
5. Remove the steering wheel. Refer to [PS-8](#).
6. Remove the spiral cable screws and remove the spiral cable.

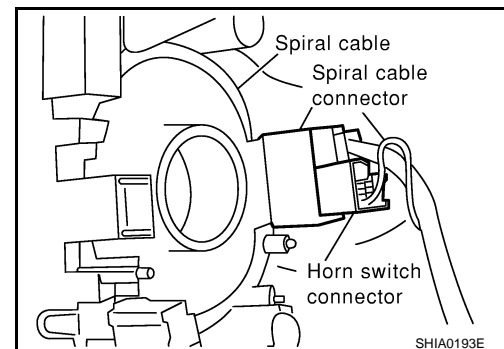
CAUTION:

- Do not disassemble spiral cable.
- Do not apply lubricant to the spiral cable.

7. Disconnect lower spiral cable connectors, then remove spiral cable.

CAUTION:

With the steering linkage disconnected, the spiral cable may snap by turning the steering wheel beyond the limited number of turns. The spiral cable can be turned counter-clockwise about 2.5 turns from the neutral position.



SPIRAL CABLE

< SERVICE INFORMATION >

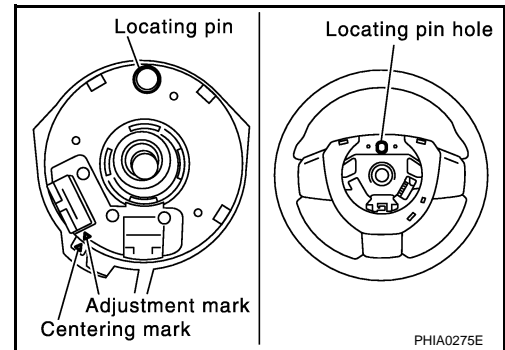
INSTALLATION

Installation is in the reverse order of removal.

- After the work is completed, perform self-diagnosis to make sure no malfunction is detected. Refer to [SRS-18. "SRS Operation Check"](#).

CAUTION:

- The spiral cable may snap due to steering operation if the cable is not installed in the correct position.
- With the steering linkage disconnected, the cable may snap by turning the steering wheel beyond the limited number of turns. The spiral cable can be turned counterclockwise about 2.5 turns from the neutral position.



FRONT PASSENGER AIR BAG MODULE

< SERVICE INFORMATION >

FRONT PASSENGER AIR BAG MODULE

Removal and Installation

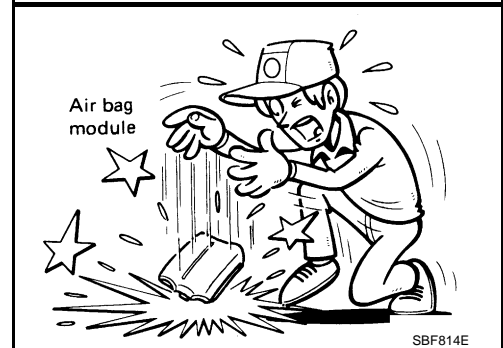
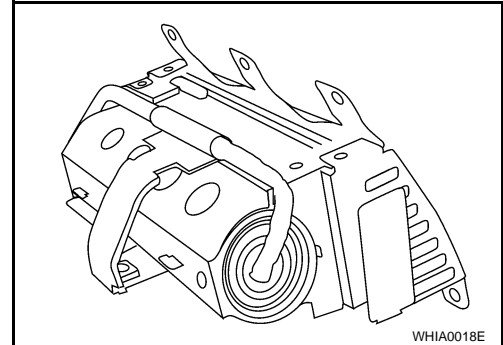
INFOID:000000001721021

WARNING:

- When servicing the SRS, do not work from directly in front of air bag module.
- Always place front passenger air bag module with caution label side facing upward.

CAUTION:

- Before servicing SRS, turn the ignition switch off, disconnect both battery cables and wait at least 3 minutes.
- Do not insert any foreign objects (screwdriver, etc.) into air bag module or harness connectors.
- Do not disassemble air bag module.
- Do not use old bolts after removal; replace with new bolts.
- Do not expose the front passenger air bag module to temperatures exceeding 90°C (194°F).
- Replace the air bag module if it has been dropped or sustained an impact.
- Do not allow oil, grease or water to come in contact with the air bag module.



A

B

C

D

E

F

G

SRS

I

REMOVAL

1. Disconnect negative and positive battery cables, then wait at least 3 minutes.
2. Remove bolt (through glove box opening) retaining front passenger air bag module to instrument panel crossmember.
3. Disconnect the air bag module electrical connectors and remove the front passenger air bag jumper harness from the air bag module.
4. Remove the instrument panel assembly. Refer to [IP-10. "Instrument Panel"](#).
5. Remove front passenger air bag module nuts and remove air bag module from the instrument panel assembly.

J

K

L

INSTALLATION

Installation is in the reverse order of removal.

- After the work is completed, perform self-diagnosis to check that no malfunction is detected. Refer to [SRS-18. "SRS Operation Check"](#).

M

N

O

P

SIDE CURTAIN AIR BAG MODULE

< SERVICE INFORMATION >

SIDE CURTAIN AIR BAG MODULE

Removal and Installation

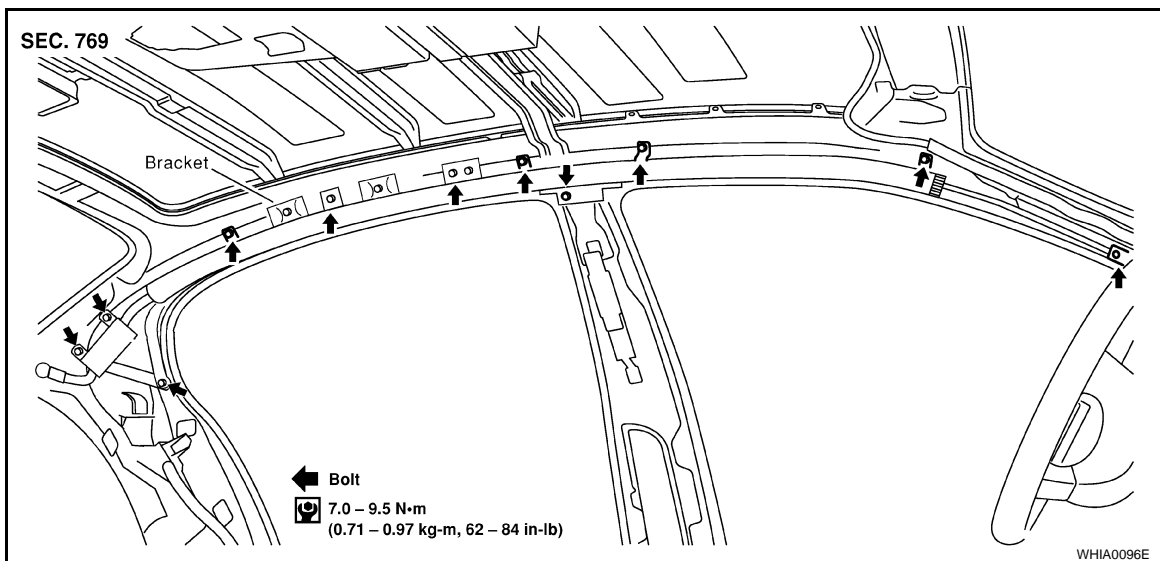
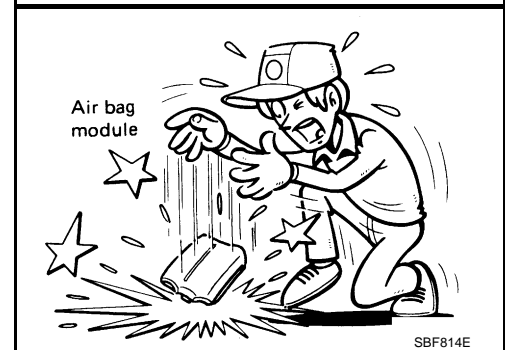
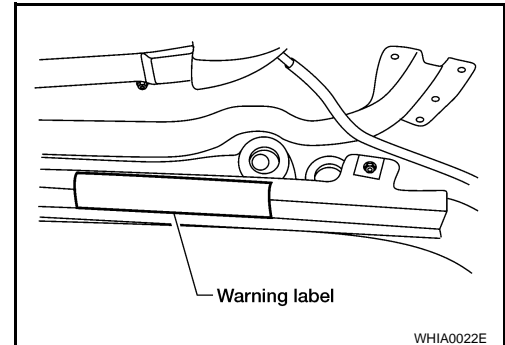
INFOID:000000001721022

WARNING:

- When servicing the SRS, do not work from directly in front of air bag module.
- Always place the side curtain air bag module with the warning label facing upward.

CAUTION:

- Before servicing the SRS, turn the ignition switch off, disconnect both battery cables and wait at least 3 minutes.
- Do not insert any foreign objects (screwdriver, etc.) into air bag module or harness connectors.
- Do not disassemble air bag module.
- Do not use old bolts after removal; replace with new bolts.
- Do not expose the air bag module to temperatures exceeding 90°C (194°F).
- Replace side curtain air bag module if it has been dropped or sustained an impact.
- Do not allow oil, grease or water to come in contact with the air bag module.
- Do not attempt to repair or replace damaged direct-connect SRS component connectors. If a direct-connect harness connector is damaged, the harness must be replaced.



REMOVAL

1. Disconnect negative and positive battery cables, then wait at least 3 minutes.
2. Remove headlining. Refer to [EI-37, "Removal and Installation"](#).
3. Remove three rearmost side curtain air bag module inflator bolts and unhook the side curtain air bag inflator.
4. Disconnect side curtain air bag module connector.
 - For removal/installation of the direct-connect SRS connectors, refer to [SRS-6, "Direct-connect SRS Component Connectors"](#).
5. Remove the side curtain air bag module bolts and remove the side curtain air bag module.

INSTALLATION

SIDE CURTAIN AIR BAG MODULE

< SERVICE INFORMATION >

Installation is in the reverse order of removal.

- For removal/installation of the direct-connect SRS connectors, refer to [SRS-6, "Direct-connect SRS Component Connectors"](#).
- After replacement of side curtain air bag module, perform self-diagnosis to check that no malfunction is detected. Refer to [SRS-18, "SRS Operation Check"](#).

A

B

C

D

E

F

G

SRS

I

J

K

L

M

N

O

P

CRASH ZONE SENSOR

< SERVICE INFORMATION >

CRASH ZONE SENSOR

Removal and Installation

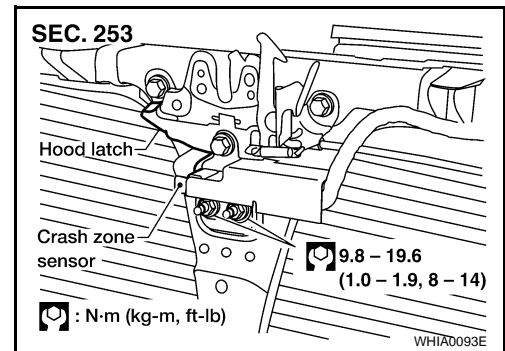
INFOID:000000001721023

CAUTION:

- Before servicing the SRS, turn the ignition switch off, disconnect both battery cables and wait at least 3 minutes.
- Replace crash zone sensor if it has been dropped or sustained an impact.
- Do not disassemble crash zone sensor.
- Do not use old nuts after removal; replace with new nuts.
- Check crash zone sensor to make sure it is free of deformities, dents, cracks or rust. If it shows any visible signs of damage, replace it with new one.

REMOVAL

1. Disconnect negative and positive battery cables, then wait at least 3 minutes.
2. Remove front grille. Refer to [EI-17. "Removal and Installation"](#).
3. Disconnect crash zone sensor harness connector.
4. Remove crash zone sensor nuts.



INSTALLATION

Installation is in the reverse order of removal.

- After the work is complete, perform self-diagnosis to check that no malfunction is detected. Refer to [SRS-18. "SRS Operation Check"](#).

SIDE AIR BAG (SATELLITE) SENSOR

< SERVICE INFORMATION >

SIDE AIR BAG (SATELLITE) SENSOR

Removal and Installation

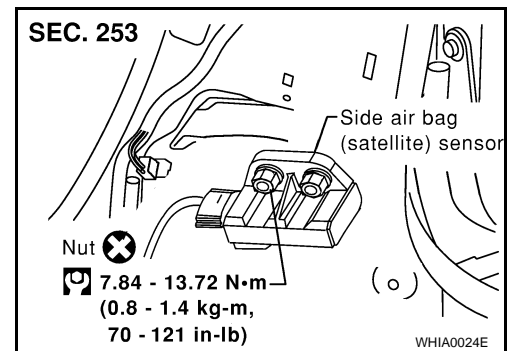
INFOID:000000001721024

CAUTION:

- Before servicing the SRS, turn the ignition switch off, disconnect both battery cables and wait at least 3 minutes.
- Replace side air bag (satellite) sensor if it has been dropped or sustained an impact.
- Do not disassemble side air bag (satellite) sensor.
- Do not use old nuts after removal; replace with new nuts.
- Check side air bag (satellite) sensor to make sure it is free of deformities, dents, cracks or rust. If it shows any visible signs of damage, replace it with new one.

REMOVAL

1. Disconnect negative and positive battery cables, then wait at least 3 minutes.
2. Remove seat belt pre-tensioner. Refer to [SB-3, "Removal and Installation of Front Seat Belt"](#).
3. Remove side air bag (satellite) sensor nuts.
4. Disconnect side air bag (satellite) sensor harness connector.



INSTALLATION

Installation is in the reverse order of removal.

- After the work is completed, perform self-diagnosis to check that no malfunction is detected. Refer to [SRS-18, "SRS Operation Check"](#).

FRONT SEAT BELT PRE-TENSIONER

< SERVICE INFORMATION >

FRONT SEAT BELT PRE-TENSIONER

Removal and Installation

INFOID:000000001721025

For removal and installation procedures, refer to [SB-3. "Removal and Installation of Front Seat Belt"](#).

DIAGNOSIS SENSOR UNIT

< SERVICE INFORMATION >

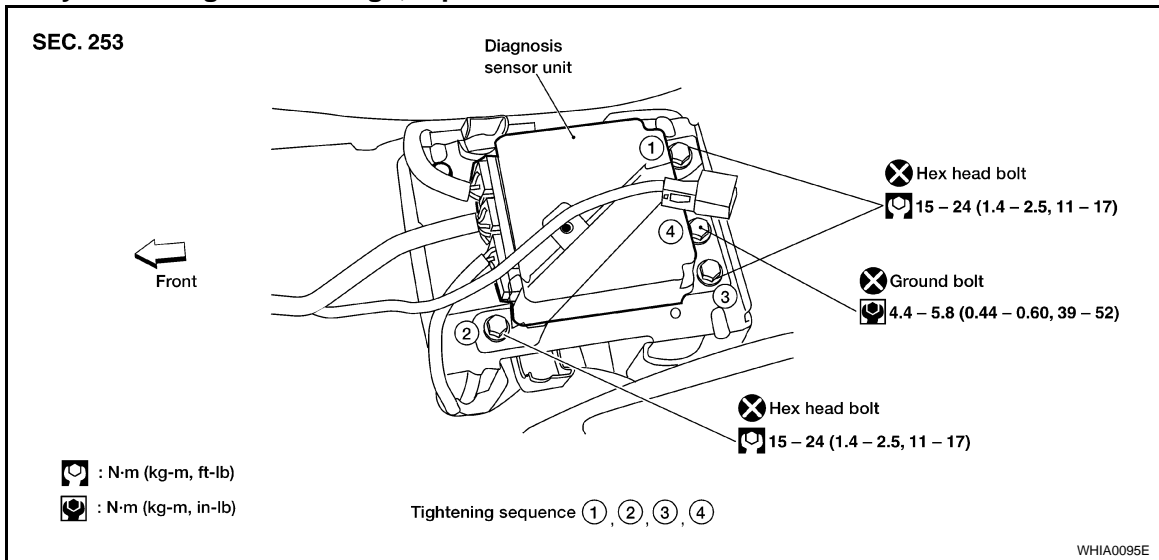
DIAGNOSIS SENSOR UNIT

Removal and Installation

INFOID:000000001721026

CAUTION:

- Before servicing the SRS, turn the ignition switch off, disconnect both battery cables and wait at least 3 minutes.
- Replace diagnosis sensor unit if it has been dropped or sustained an impact.
- Do not disassemble diagnosis sensor unit.
- Do not use old bolts; replace with new bolts.
- Check diagnosis sensor unit bracket to make sure it is free of deformities, dents, cracks or rust. If it shows any visible signs of damage, replace with new one.



REMOVAL

1. Disconnect negative and positive battery cables, then wait at least 3 minutes.
2. Disconnect harness connectors for each air bag module and seat belt pre-tensioner.
3. Remove center console. Refer to [IP-10](#).
4. Disconnect diagnosis sensor unit harness connectors.
5. Remove the bolts and the diagnosis sensor unit.

INSTALLATION

CAUTION:

- The diagnosis sensor unit must always be installed with the arrow mark “←” pointing toward the front of the vehicle for proper operation.
 - Always follow tightening sequence to avoid damage of diagnosis sensor unit during installation.
- Installation is in the reverse order of removal.
- After the work is completed, perform self-diagnosis to check that no malfunction is detected. Refer to [SRS-18, "SRS Operation Check"](#).

ECU DISCRIMINATED NO.

After replacing the diagnosis sensor unit, confirm that the diagnosis sensor unit identification is correct for the vehicle as equipped. Refer to [SRS-16, "CONSULT-III Function \(AIR BAG\)"](#).

OCCUPANT CLASSIFICATION SYSTEM CONTROL UNIT

< SERVICE INFORMATION >

OCCUPANT CLASSIFICATION SYSTEM CONTROL UNIT

Removal and Installation

INFOID:000000001721027

The occupant classification control unit, occupant classification system sensor, and bladder are an integral part of the front passenger seat cushion and are replaced as an assembly. Refer to [SE-85, "Removal and Installation"](#) to remove the seat, and [SE-85, "Removal and Installation"](#) to replace the seat cushion.

COLLISION DIAGNOSIS

< SERVICE INFORMATION >

COLLISION DIAGNOSIS

For Frontal Collision

INFOID:000000001721028

Check the SRS components using the following table.

- After the work is completed, perform self-diagnosis to check that no malfunction is detected. Refer to [SRS-18, "SRS Operation Check"](#).

SRS INSPECTION (FOR FRONTAL COLLISION)

Part	SRS is activated	SRS is NOT activated
Driver air bag module	If the driver air bag has deployed: REPLACE Install with new fasteners.	If the driver air bag has NOT been activated: 1. Remove driver air bag module. Check harness cover and connectors for damage, terminals for deformities, and harness for binding. 2. Install driver air bag module into the steering wheel to check fit and alignment with the wheel. 3. If no damage is found, reinstall with new fasteners. 4. If damaged—REPLACE. Install driver air bag modules with new fasteners.
Front passenger air bag module	If the front passenger air bag has deployed: REPLACE Install with new fasteners.	If the front passenger air bag has NOT been activated: 1. Remove front passenger air bag module. Check harness cover and connectors for damage, terminals for deformities, and harness for binding. 2. Install front passenger air bag module into the instrument panel to check fit with the instrument panel. 3. If no damage is found, reinstall with new fasteners. 4. If damaged—REPLACE. Install front passenger air bag modules with new fasteners.
Crash zone sensor	If any of the front air bags or seat belt pre-tensioners* have been activated: REPLACE the crash zone sensor and bracket with new fasteners. *: Confirm seat belt pre-tensioner activation using CONSULT-III only.	If the front air bags or seat belt pre-tensioners have NOT been activated: 1. Remove the crash zone sensor. Check harness connectors for damage, terminals for deformities, and harness for binding. 2. Check for visible signs of damage (dents, cracks, deformation) of the crash zone sensor and bracket. 3. Install the crash zone sensor to check fit. 4. If no damage is found, reinstall with new fasteners. 5. If damaged—REPLACE the crash zone sensor and bracket with new fasteners.
Seat belt pre-tensioner assemblies (All applicable locations: buckle, reel, lap outer)	If either the driver or passenger seat belt pre-tensioner* has been activated: REPLACE all seat belt pre-tensioner assemblies with new fasteners. *: Confirm seat belt pre-tensioner activation using CONSULT-III only.	If the pre-tensioners have NOT been activated: 1. Remove seat belt pre-tensioners. Check harness cover and connectors for damage, terminals for deformities, and harness for binding. 2. Check belts for damage and anchors for loose mounting. 3. Check retractor for smooth operation. 4. Check seat belt adjuster for damage. 5. Check for deformities of the center pillar inner. 6. If the center pillar inner has no damage, REPLACE the seat belt pre-tensioner assembly. 7. If no damage is found, reinstall seat belt pre-tensioner assembly. 8. If damaged—REPLACE. Install the seat belt pre-tensioners with new fasteners.
Diagnosis sensor unit	If any of the SRS components have been activated: REPLACE the diagnosis sensor unit. Install with new fasteners.	If none of the SRS components have been activated: 1. Check case for dents, cracks or deformities. 2. Check connectors for damage, and terminals for deformities. 3. If no damage is found, reinstall with new fasteners. 4. If damaged—REPLACE. Install diagnosis sensor unit with new fasteners.

A
B
C
D
E
F
G
SRS
I
J
K
L
M
N
O
P

COLLISION DIAGNOSIS

< SERVICE INFORMATION >

Part	SRS is activated	SRS is NOT activated
Steering wheel	<ol style="list-style-type: none"> 1. Visually check steering wheel for deformities. 2. Check harness (built into steering wheel) and connectors for damage, and terminals for deformities. 3. Install driver air bag module into the steering wheel to check fit and alignment with the wheel. 4. Check steering wheel for excessive free play. 5. If no damage is found, reinstall. 6. If damaged—REPLACE. 	
Spiral cable	If the driver front air bag has deployed: REPLACE the spiral cable.	If the driver front air bag has not deployed: <ol style="list-style-type: none"> 1. Visually check spiral cable and combination switch for damage. 2. Check connectors and protective tape for damage. 3. Check steering wheel for noise, binding or heavy operation. 4. If no damage is found, reinstall. 5. If damaged—REPLACE.
Occupant classification system (Passenger seat)	<ol style="list-style-type: none"> 1. Remove passenger seat. 2. Check control unit case for dents, cracks or deformities. 3. Check connectors and pressure sensor tube for damage, and terminals for deformities. 4. Check seat frame and cushion pan for dents or deformities. 5. If no damage is found, reinstall seat with new fasteners. 6. If damaged — REPLACE seat cushion assembly with new fasteners. 	
Harness and connectors	<ol style="list-style-type: none"> 1. Check connectors for poor connection, damage, and terminals for deformities. 2. Check harness for binding, chafing, cuts, or deformities. 3. If no damage is found, reinstall the harness and connectors. 4. If damaged—REPLACE the damaged harness. Do not attempt to repair, splice or modify any SRS harness. 	
Instrument panel	If the passenger front air bag has deployed: REPLACE the instrument panel assembly.	If the passenger front air bag has NOT deployed: <ol style="list-style-type: none"> 1. Visually check instrument panel for damage. 2. If no damage is found, reinstall the instrument panel. 3. If damaged—REPLACE the instrument panel.

For Side and Rollover Collision

INFOID:000000001721029

Check the SRS components using the following table.

- After the work is completed, perform self-diagnosis to check that no malfunction is detected. Refer to [SRS-18. "SRS Operation Check"](#).

WHEN SRS IS ACTIVATED IN THE SIDE OR ROLLOVER COLLISION

1. Replace the following components:
 - Front seat back assembly (on the side on which side air bag is activated)
 - Diagnosis sensor unit
 - (LH or RH) side air bag (satellite) sensor (on the side on which side air bag is activated)
2. Check the SRS components and the related parts using the following table.
 - Replace any SRS components and the related parts showing visible signs of damage (dents, cracks, deformation).
3. Conduct self-diagnosis using CONSULT-III and "AIR BAG" warning lamp. Refer to [SRS-18. "SRS Operation Check"](#) for details. Ensure entire SRS operates properly.

WHEN SRS IS NOT ACTIVATED IN THE SIDE OR ROLLOVER COLLISION

1. Check the SRS components and the related parts using the following table.
 - If the front seat back assembly is damaged, the front seat back assembly must be replaced.
2. Conduct self-diagnosis using CONSULT-III and "AIR BAG" warning lamp. Refer to [SRS-18. "SRS Operation Check"](#) for details. Ensure entire SRS operates properly.

SRS INSPECTION (FOR SIDE AND ROLLOVER COLLISION)

COLLISION DIAGNOSIS

< SERVICE INFORMATION >

Part	SRS is activated	SRS is NOT activated	A
LH side curtain air bag module	If the LH side curtain air bag has deployed: REPLACE the LH side curtain air bag module. (Repair the center pillar inner, etc. before installing new one if damaged.)	If the LH side curtain air bag has NOT deployed: <ol style="list-style-type: none"> 1. Check for visible signs of damage (dents, tears, deformation) of the center pillar on the collision side. 2. If damaged—Remove the LH side curtain air bag module. 3. Check for visible signs of damaged (tears etc.) of the LH side curtain air bag module. 4. Check harness and connectors for damage, and terminals for deformities. 5. If no damage is found, reinstall the LH side curtain air bag module with new fasteners. 6. If damaged—REPLACE the LH side curtain air bag module with new fasteners. 	B C
RH side curtain air bag module	If the RH side curtain air bag has deployed: REPLACE the RH side curtain air bag module. (Repair the center pillar inner, etc. before installing new one if damaged.)	If the RH side curtain air bag has NOT deployed: <ol style="list-style-type: none"> 1. Check for visible signs of damage (dents, tears, deformation) of the center pillar on the collision side. 2. If damaged—Remove the RH side curtain air bag module. 3. Check for visible signs of damaged (tears etc.) of the RH side curtain air bag module. 4. Check harness and connectors for damage, and terminals for deformities. 5. If no damage is found, reinstall the RH side curtain air bag module with new fasteners. 6. If damaged—REPLACE the RH side curtain air bag module with new fasteners. 	D E F
Front LH side air bag module	If the front LH side air bag has deployed: REPLACE front LH seatback assembly.	If the front LH side air bag has NOT deployed: <ol style="list-style-type: none"> 1. Check for visible signs of damage (dents, tears, deformation) of the seat back on the collision side. 2. Check harness and connectors for damage, and terminals for deformities. 3. If damaged—REPLACE the front LH seatback assembly. 	G
Front RH side air bag module	If the front RH side air bag has deployed: REPLACE front RH seatback assembly.	If the front RH side air bag has NOT deployed: <ol style="list-style-type: none"> 1. Check for visible signs of damage (dents, tears, deformation) of the seat back on the collision side. 2. Check harness and connectors for damage, and terminals for deformities. 3. If damaged—REPLACE the front RH seatback assembly. 	I
(LH or RH) side air bag (satellite) sensor	If any of the SRS components have deployed: REPLACE the side air bag (satellite) sensor on the collision side with new fasteners. (Repair the center pillar inner, etc. before installing new one if damaged.)	If none of the SRS components have been activated: <ol style="list-style-type: none"> 1. Remove the side air bag (satellite) sensor on the collision side. Check harness connectors for damage, terminals for deformities, and harness for binding. 2. Check for visible signs of damage (dents, cracks, deformation) of the side air bag (satellite) sensor. 3. Install the side air bag (satellite) sensor to check fit. 4. If no damage is found, reinstall the side air bag (satellite) sensor with new fasteners. 5. If damaged—REPLACE the side air bag (satellite) sensor with new fasteners. 	J K L
Diagnosis sensor unit	If any of the SRS components have deployed: REPLACE the diagnosis sensor unit with new fasteners.	If none of the SRS components have been activated: <ol style="list-style-type: none"> 1. Check case and bracket for dents, cracks or deformities. 2. Check connectors for damage, and terminals for deformities. 3. If no damage is found, reinstall the diagnosis sensor unit with new fasteners. 4. If damaged—REPLACE the diagnosis sensor unit with new fasteners. 	M N
Seat belt pre-tensioner assemblies (All applicable locations: buckle, reel, lap outer)	If either the driver or passenger seat belt pre-tensioner* has been activated: REPLACE all seat belt pre-tensioner assemblies with new fasteners. *: Confirm seat belt pre-tensioner activation using CONSULT-III only.	If the pre-tensioners have NOT been activated: <ol style="list-style-type: none"> 1. Remove seat belt pre-tensioners. Check harness cover and connectors for damage, terminals for deformities, and harness for binding. 2. Check belts for damage and anchors for loose mounting. 3. Check retractor for smooth operation. 4. Check seat belt adjuster for damage. 5. Check for deformities of the center pillar inner. 6. If the center pillar inner has no damage, REPLACE the seat belt pre-tensioner assembly. 7. If no damage is found, reinstall seat belt pre-tensioner assembly. 8. If damaged—REPLACE. Install the seat belt pre-tensioners with new fasteners. 	O P

SRS

COLLISION DIAGNOSIS

< SERVICE INFORMATION >

Part	SRS is activated	SRS is NOT activated
Seat (with front side air bag)	If either the front LH or front RH side air bag modules has been deployed: REPLACE front seat-back assembly on the deployed side.	If the front LH or front RH side air bag modules have NOT deployed: <ol style="list-style-type: none"> 1. Visually check the seat on the collision side. 2. Remove the seat on the collision side and check the following for damage and deformities. <ul style="list-style-type: none"> - Harness, connectors and terminals - Frame and recliner (for front and rear seat), and also adjuster and slides (for front seat) 3. If no damage is found, reinstall the seat. 4. If damaged—REPLACE the damaged seat parts using new fasteners. If the front seat back is damaged, the front seat back assembly must be replaced.
Center inner pillar	<ol style="list-style-type: none"> 1. Check the center inner pillar on the collision side for damage (dents, cracks, deformation). 2. If damaged—REPAIR the center inner pillar. 	
Trim/headlining	<ol style="list-style-type: none"> 1. Check for visible signs of damage (dents, cracks, deformation) of the interior trim on the collision side. 2. If damaged—REPLACE the damaged trim parts. 	